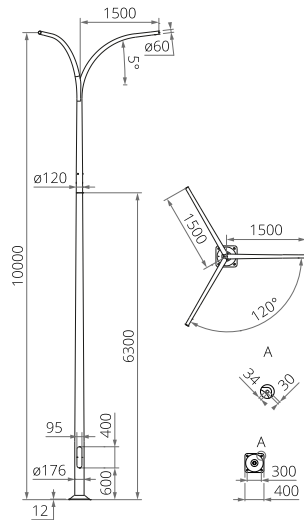


# Aluminium column SAL-10 Wł 3/1,5/3,7/5

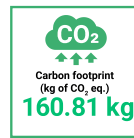


176 mm at the base plate



## TECHNICAL DATA

<b>Anodising</b>	10 colours
<b>Luminaire mounting</b>	directly on the extension arm, luminaires with $\phi 60$ mm mounting with weight and surface parameters not exceeding the data from the strength table included in the technical data sheet
<b>Packing</b>	sleeve material
<b>Performance under vehicle impact (passive safety)</b>	50-NE-C-S-SE-MD-0, 70-NE-C-S-SE-MD-0, 100-NE-C-S-SE-MD-0
<b>Diameter at the base plate</b>	176 mm
<b>Finish</b>	brushed anodised aluminium - anode coating thickness is $20\mu\text{m}$ as standard (coating thickness of $25\mu\text{m}$ is also possible), option of elastomer protection up to a height of 350 mm, in a colour similar to the anode colour (other heights or colours of elastomer available according to the RAL palette at the customer's request) - the thickness of the protective coating ranges from 0.8 mm to 1.2 mm
<b>Ingress protection</b>	IP54 for wire chamber



## TABLE OF VARIANTS

Code	Symbol	Height of the column [H]	Unit volume	Concrete footing / reinforcement basket type	Concrete footing / reinforcement basket code	Fasteners	Net weight
42439/C...	SAL-10 Wł 3/1,5/3,7/5	10 m	1.19 m <sup>3</sup>	B-70 / Z-70	311170 / 311207	4012	67.6 kg

## STRENGTH TABLE

SAL-10 Wł 3/1,5/3,7/5		Acceptable windage of single luminaire[m <sup>2</sup> ] for Cx=1			
code 42439	Vref. = 22 m/s	Vref. = 24 m/s	Vref. = 26 m/s	Vref. = 28 m/s	
Permissible weight of a single luminaire [kg]	zone I, terrain category III	zone I & III, terrain category III up to 450m a.s.l.	zone II, terrain category III	zone III, terrain category III up to 755m a.s.l.	
15	0,15	0,10	0,05	x	

## ANODISING COLOURS

