



TECHNICAL DATA

Anodising	10 colours
Application	surrounding office buildings, parks, pedestrians
Ingress protection	IP 66 for the optical part and the driver
Material	anodised aluminium alloy
Operating temperature range	from -40°C to +55°C
Expected useful lifetime	L90B10 - 100 000 h
CRI	>70
Input voltage frequency	50/60Hz
Number of LED	4

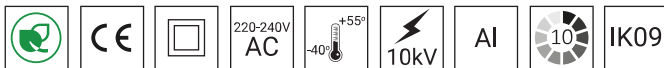


TABLE OF VARIANTS

Code	Symbol	LED power	Luminaire power consumption	LED forward current	Colour temperature (CCT)	LEDs luminous flux ¹	Luminaire luminous flux ¹	Luminous efficacy ¹	Unit volume	Concrete footing / reinforcement basket type	Inrush current	Net weight
215808/1/C...	CUT-1 LED	8 W	12 W	700 mA	2700 K	1350 lm	1050 lm	88 lm/W	0.022 m ³	B-0A / Z-0A	70A / 220µs	5.2 kg
215808/3/C...	CUT-1 LED	8 W	12 W	700 mA	3500 K	1450 lm	1100 lm	92 lm/W	0.022 m ³	B-0A / Z-0A	70A / 220µs	5.2 kg
215808/4/C...	CUT-1 LED	8 W	12 W	700 mA	4000 K	1500 lm	1150 lm	96 lm/W	0.022 m ³	B-0A / Z-0A	70A / 220µs	5.2 kg
215808/6/C...	CUT-1 LED	8 W	12 W	700 mA	5000 K	1500 lm	1150 lm	96 lm/W	0.022 m ³	B-0A / Z-0A	70A / 220µs	5.2 kg

1) tolerance +/- 7% due to LEDs accuracy

2) C... - choice of anodising colour

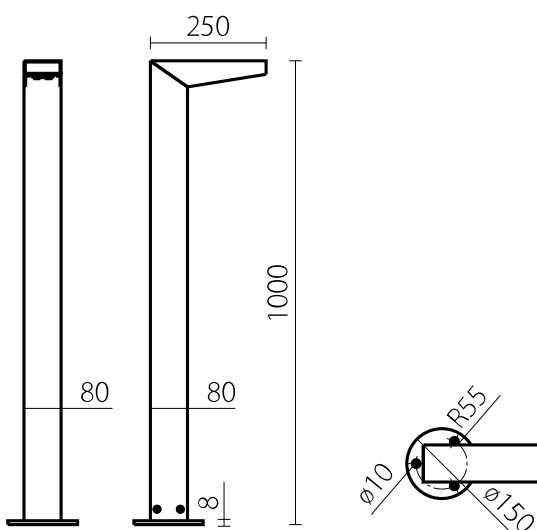
DIRECTIVES AND STANDARDS

DIRECTIVES: 2014/35/UE (Official Journal of the UE L 96/357 29.03.2014), 2014/30/UE (Official Journal of the UE L 96/79 29.03.2014), 2011/65/UE RoHS (Official Journal of the UE L 174/88 01.07.2011), 2009/125/EC (Official Journal of the UE L 285/10 31.10.2009)

STANDARDS: PN-EN IEC 60598-1: 2021-7, PN-EN 60598-2-3: 2006, PN-EN 60529: 2003, PN-EN 62262: 2003, PN-EN 62471:2010, PN-EN 55015: 2019, PN-EN 61547: 2009, PN-EN 61000-3-2: 2019, PN-EN 61000-3-3: 2014

Lighting parameters presented based on laboratory tests according to IESNA LM-79-19

TECHNICAL DRAWING



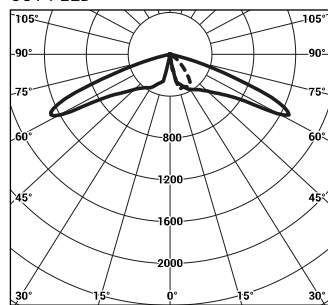
PHOTOMETRIC CURVES

Updated at: 17-04-2025

Zakład Produkcji Sprzętu Oświetleniowego „ROSA” Sp. z o.o.
43-109 Tychy, ul. Strefowa 1 tel. +48 32 73 88 901

www.rosa.pl

CUT-1 LED



cd/m²
 — C0 - C180 - - - C90 - C270

ACCEPTABLE QUANTITY OF LUMINAIRES ON ONE CIRCUIT

Overcurrent switches MCB type B or C

Lighting columns	Type	2A	4A	6A	10A	16A	20A	25A
CUT-1 LED	B	1	2	3	5	8	10	12
	C	1	3	5	8	13	16	20

Fuse – type gG and GL

Lighting columns	2A	4A	6A	10A	16A	20A	25A
CUT-1 LED	0	3	5	7	15	20	29