

TECHNICAL DATA

Assembly	depending on the type of head: A - pole top mounted or on extension arms with ϕ 60 x 50 mm, B - pole top mounted with ϕ 60 x 180 mm
Application	surrounding office buildings, parks, pedestrians, parkings
Ingress protection	IP 66
Optical system	PMMA optics, interchangeable LED module
Material	cap - formed aluminium sheet diffuser - tempered glass luminaire body - aluminum alloy, anodized
Unit volume	0,08 m ³
Operating temperature range	from -40°C to +40°C
Expected useful lifetime	L90B10 - 100 000 h
CRI	>70
Inrush current	24,6 A / 159,5 μ s (RING LED D4i 12 - 36) 49 A / 290 μ s (RING LED D4i 48)
Input voltage frequency	50/60Hz
Power factor	\geq 0,95
Number of LED	16
Control system	Luminaire can be connected to an external control system and / or sensors via socket compatible with Zhaga Book 18



TABLE OF VARIANTS

Code	Symbol	LED power	Luminaire power consumption	LED forward current	Colour temperature (CCT)	LEDs luminous flux ¹	Luminaire luminous flux ¹	Luminous efficacy ¹	Net weight with mounting head type 'A' / 'B'
2121527/.../1/.../C...	RING 2 LED D4i 12	12 W	15 W	280 mA	2700 K	2400 lm	1850 lm	123 lm/W	6,6 kg / 7,1 kg
2121527/.../3/.../C...	RING 2 LED D4i 12	12 W	15 W	280 mA	3500 K	2550 lm	1950 lm	130 lm/W	6,6 kg / 7,1 kg
2121527/.../4/.../C...	RING 2 LED D4i 12	12 W	15 W	280 mA	4000 K	2700 lm	2050 lm	137 lm/W	6,6 kg / 7,1 kg
2121527/.../6/.../C...	RING 2 LED D4i 12	12 W	15 W	280 mA	5000 K	2700 lm	2050 lm	137 lm/W	6,6 kg / 7,1 kg
2121530/.../1/.../C...	RING 2 LED D4i 24	24 W	28 W	500 mA	2700 K	4050 lm	3050 lm	109 lm/W	6,6 kg / 7,1 kg
2121530/.../3/.../C...	RING 2 LED D4i 24	24 W	28 W	500 mA	3500 K	4300 lm	3250 lm	116 lm/W	6,6 kg / 7,1 kg
2121530/.../4/.../C...	RING 2 LED D4i 24	24 W	28 W	500 mA	4000 K	4550 lm	3450 lm	123 lm/W	6,6 kg / 7,1 kg
2121530/.../6/.../C...	RING 2 LED D4i 24	24 W	28 W	500 mA	5000 K	4550 lm	3450 lm	123 lm/W	6,6 kg / 7,1 kg
2121532/.../1/.../C...	RING 2 LED D4i 36	36 W	40 W	750 mA	2700 K	5750 lm	4350 lm	109 lm/W	6,6 kg / 7,1 kg
2121532/.../3/.../C...	RING 2 LED D4i 36	36 W	40 W	750 mA	3500 K	6100 lm	4600 lm	115 lm/W	6,6 kg / 7,1 kg
2121532/.../4/.../C...	RING 2 LED D4i 36	36 W	40 W	750 mA	4000 K	6500 lm	4900 lm	123 lm/W	6,6 kg / 7,1 kg
2121532/.../6/.../C...	RING 2 LED D4i 36	36 W	40 W	750 mA	5000 K	6500 lm	4900 lm	123 lm/W	6,6 kg / 7,1 kg
2121533/.../1/.../C...	RING 2 LED D4i 48	48 W	55 W	1000 mA	2700 K	7300 lm	5550 lm	101 lm/W	6,6 kg / 7,1 kg
2121533/.../3/.../C...	RING 2 LED D4i 48	48 W	55 W	1000 mA	3500 K	7750 lm	5850 lm	106 lm/W	6,6 kg / 7,1 kg
2121533/.../4/.../C...	RING 2 LED D4i 48	48 W	55 W	1000 mA	4000 K	8200 lm	6200 lm	113 lm/W	6,6 kg / 7,1 kg
2121533/.../6/.../C...	RING 2 LED D4i 48	48 W	55 W	1000 mA	5000 K	8200 lm	6200 lm	113 lm/W	6,6 kg / 7,1 kg

1) tolerance +/- 5% due to LEDs accuracy

2) exemplary product code 2121530/A/6/T4/C35 is RING 2 LED D4i 24W 5000K luminaire, where /A/ is the mounting head type 'A', /T4/ is the T4 optical system, /C35 is the anodizing color of the C35 luminaire black

DIRECTIVES AND STANDARDS

DIRECTIVES: 2014/35/UE (Official Journal of the UE L 96/357 29.03.2014), 2014/30/UE (Official Journal of the UE L 96/79 29.03.2014), 2011/65/UE RoHS (Official Journal of the UE L 174/88 01.07.2011), 2009/125/EC(Official Journal of the UE L 285/10 31.10.2009)

STANDARDS: PN-EN IEC 60598-1: 2021-7, PN-EN 60598-2-3: 2006, PN-EN 60529: 2003, PN-EN 62262: 2003, PN-EN 62471:2010, PN-EN 55015: 2019, PN-EN 61547: 2009, PN-EN 61000-3-2: 2019 , PN-EN 61000-3-3: 2014, PN-EN 62722-2-1 (tq=25°C)

Lighting parameters presented based on laboratory tests according to IESNA LM-79-19

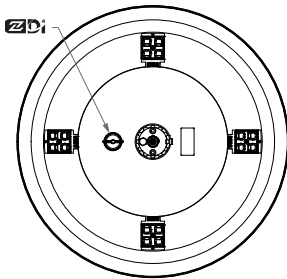
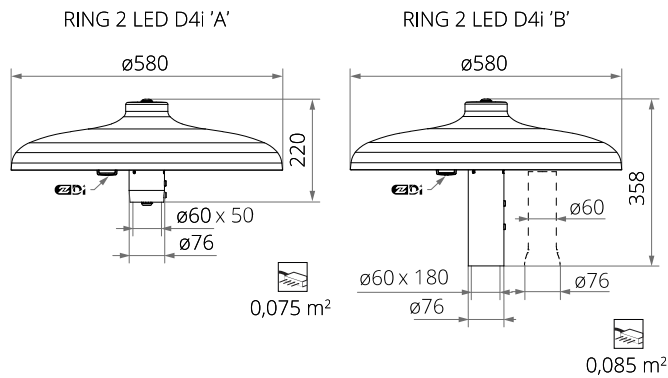
RING 2 LED D4i

REMOVING ELECTROSTATIC CHARGE FROM LED LUMINAIRE BODY

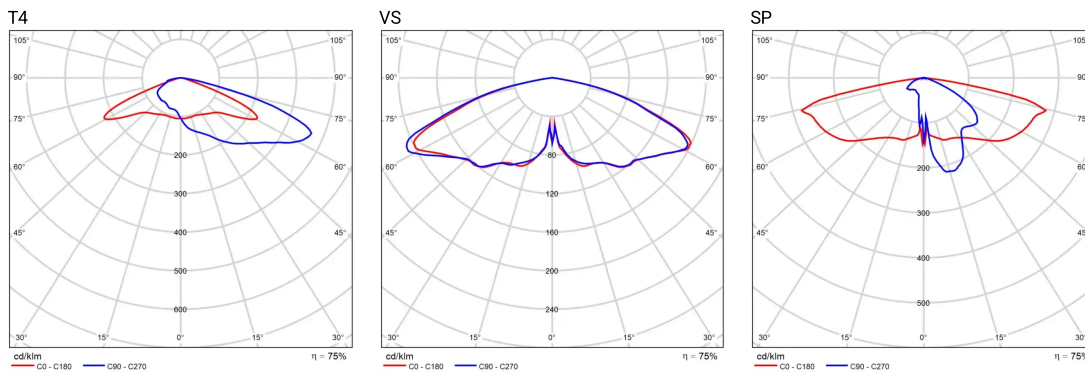
In order to efficient discharge the electrostatic charge from the housing of LED fitting installed on the pole from dielectric material (non-conductive) one of the following solutions is required:

- functional grounding
- LED luminaire with an additional protection device

TECHNICAL DRAWING



PHOTOMETRIC CURVES



POWER SYSTEM FUNCTIONS

Luminaire in standard has following functions of intelligent power supply:

- Possibility of programming multistage dimming of luminaire, up to 5 intervals in the range of from 10 to 100% of nominal power,
- LED module equipped with thermal protection implemented via an NTC thermistor,
- Regulation of power / luminous flux – the option of setting another value than the catalogue in the range of 30-100% of nominal one,

RING 2 LED D4I



ACCEPTABLE QUANTITY OF LUMINAIRES ON ONE CIRCUIT

Acceptable quantity of luminaires RING 2 LED D4i on one circuit, protected by:

Overcurrent switches MCB type B or C

Luminaire	Type	2 A	4 A	6 A	10 A	16 A	20 A	25 A
RING 2 LED D4i 12 W, 24 W, 36 W	B	4	7	12	18	30	37	46
	C	4	12	18	31	51	62	78
RING 2 LED D4i 48 W	B	5	10	16	16	42	52	65
	C	5	17	16	26	71	87	109

Fuse – type gG and GL

Luminaire	2A	4A	6A	10A	16A	20A	25A
RING 2 LED D4i 12 W, 24 W, 36 W	1	10	20	26	52	71	101
RING 2 LED D4i 48 W	0	3	7	9	18	25	36

CHROMATICITY

Chromaticity	x	y
2700K	0,4582	0,4099
3500K	0,4080	0,3916
4000K	0,3825	0,3798
5000K	0,3451	0,3554

PHOTOMETRIC CODE

2700K	727/559
3500K	735/559
4000K	740/559
5000K	750/559