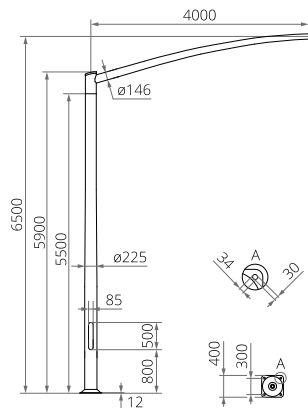


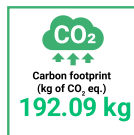
# Aluminium column SAL SYG 65-4

225 mm at the base plate



## TECHNICAL DATA

<b>Anodising</b>	10 colours
<b>Packing</b>	sleeve material
<b>Diameter at the base plate</b>	225 mm
<b>Finish</b>	brushed anodised aluminium - anode coating thickness is 20µm as standard (coating thickness of 25µm is also possible), option of elastomer protection up to a height of 350 mm, in a colour similar to the anode colour (other heights or colours of elastomer available according to the RAL palette at the customer's request) - the thickness of the protective coating ranges from 0.8 mm to 1.2 mm



## TABLE OF VARIANTS

Code	Symbol	Height of the column [H]	Wall thickness	Unit volume	Concrete footing / reinforcement basket type	Concrete footing / reinforcement basket code	Fasteners	Net weight
42810/C...	SAL SYG 65-4	6.5 m	5 mm	0.84 m³	B-80 / Z-80	311180 / 311208	4012	90.2 kg

## STRENGTH TABLE

SAL SYG 65-4		Acceptable windage of traffic signal lights and signs [m2] for Cx=1,2			
code 42810	Vref. = 22 m/s	Vref. = 24 m/s	Vref. = 26 m/s	Vref. = 28 m/s	
Acceptable mass of single traffic signal light [kg]	I zone, III Field category up to	I & III zone, III Field category up to 450m by s.I	II zone, III Field category up to	III zone, III Field category up to 755m by s.I	
30	1,26	1,11	0,88	0,82	

## ANODISING COLOURS

