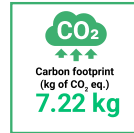




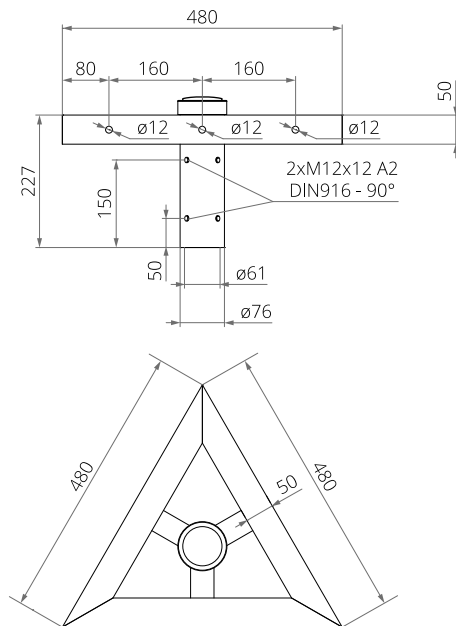
## TECHNICAL DATA

<b>Anodising</b>	10 colours
<b>Packing</b>	sleeve material
<b>Purpose</b>	for mounting floodlights
<b>Assembly</b>	on aluminium columns with a $\varnothing 60 \times 180$ mm ending
<b>Finish</b>	grinded, anodised aluminium
<b>Material</b>	anodised aluminium alloy
<b>CE</b>	the extension arm with the pole make a set - for extension arms, the Declaration of Performance applies to the pole on which extension arms is mounted



## TABLE OF VARIANTS

Code	Symbol	Number of arms	Unit volume	Effective projected area	Type of luminaires	Net weight
473030/C...	WN-3	3	0.02 m <sup>3</sup>	0.04 m <sup>2</sup>	floodlights	2.7 kg



## ANODISING COLOURS

