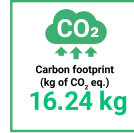




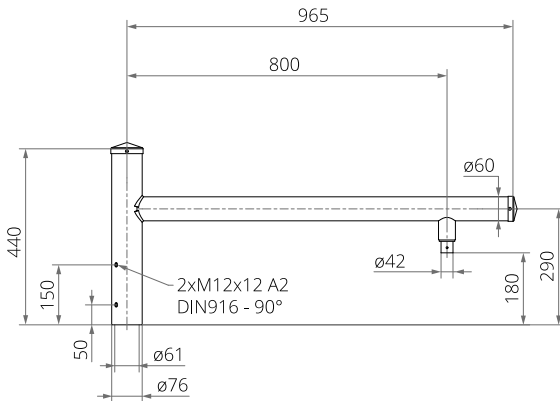
## TECHNICAL DATA

<b>Anodising</b>	10 colours
<b>Packing</b>	sleeve material
<b>Purpose</b>	for fitting luminaires with a mounting diameter of $\varnothing 42$ mm
<b>Assembly</b>	on aluminium columns with a $\varnothing 60 \times 180$ mm ending
<b>Finish</b>	grinded, anodised aluminium
<b>Material</b>	anodised aluminium alloy
<b>CE</b>	the extension arm with the pole make a set - for extension arms, the Declaration of Performance applies to the pole on which extension arms is mounted



## TABLE OF VARIANTS

Code	Symbol	Number of arms	Unit volume	Effective projected area	Luminaire mounting diameter	Net weight
472431/42/C...	WR-43/1/0,8 fi42	1	0,025 m <sup>3</sup>	0,097 m <sup>2</sup>	$\varnothing 42$ mm	3,4 kg



## ANODISING COLOURS

