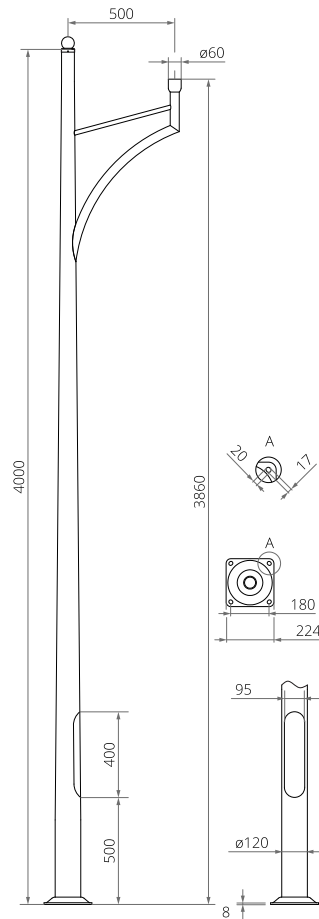


Aluminium column SAL-A1

120 mm at the base plate



TECHNICAL DATA

Anodising	10 colours
Luminaire mounting	directly on the extension arm, luminaires with $\varnothing 60$ mm mounting with weight and surface parameters not exceeding the data from the strength table included in the technical data sheet
Packing	sleeve material
Performance under vehicle impact (passive safety)	50-NE-B-S-SE-MD-0, 70-NE-B-S-SE-MD-0, 100-NE-B-S-SE-MD-0
Diameter at the base plate	120 mm
Finish	brushed anodised aluminium - anode coating thickness is $20\mu\text{m}$ as standard (coating thickness of $25\mu\text{m}$ is also possible), option of elastomer protection up to a height of 350 mm, in a colour similar to the anode colour (other heights or colours of elastomer available according to the RAL palette at the customer's request) - the thickness of the protective coating ranges from 0.8 mm to 1.2 mm
Ingress protection	IP54 for wire chamber

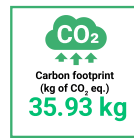


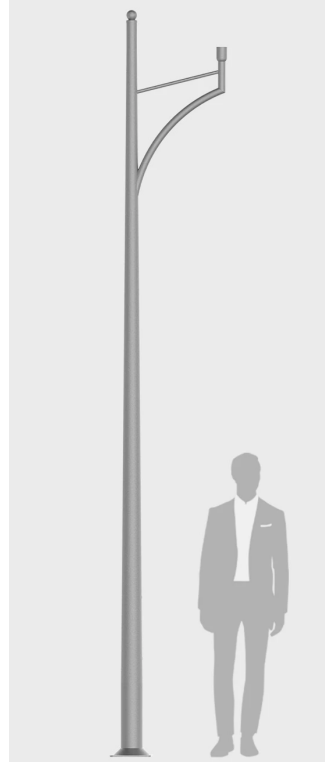
TABLE OF VARIANTS

Code	Symbol	Height of the column [H]	Wall thickness	Unit volume	Concrete footing / reinforcement basket type	Concrete footing / reinforcement basket code	Fasteners	Net weight
42209/C...	SAL-A1	4 m	4 mm	0.263 m ³	B-50 / Z-50	311150 / 311205	-	15.9 kg

STRENGTH TABLE

SAL-A1		Acceptable windage of single luminaire [m ²] for Cx=1			
code 42209	Vref. = 22 m/s	Vref. = 24 m/s	Vref. = 26 m/s	Vref. = 28 m/s	
Permissible weight of a single luminaire [kg]	Zone I, terrain category II	Zone I and III, terrain category II up to 450m a.s.l.	Zone II, terrain category II	Zone III, terrain category II up to 755m a.s.l.	
15	0,68	0,55	0,44	0,37	

We perform individual strength calculations for other wind zones and wind speeds



Aluminium column SAL-A1

120 mm at the base plate



ANODISING COLOURS

