



## TECHNICAL DATA

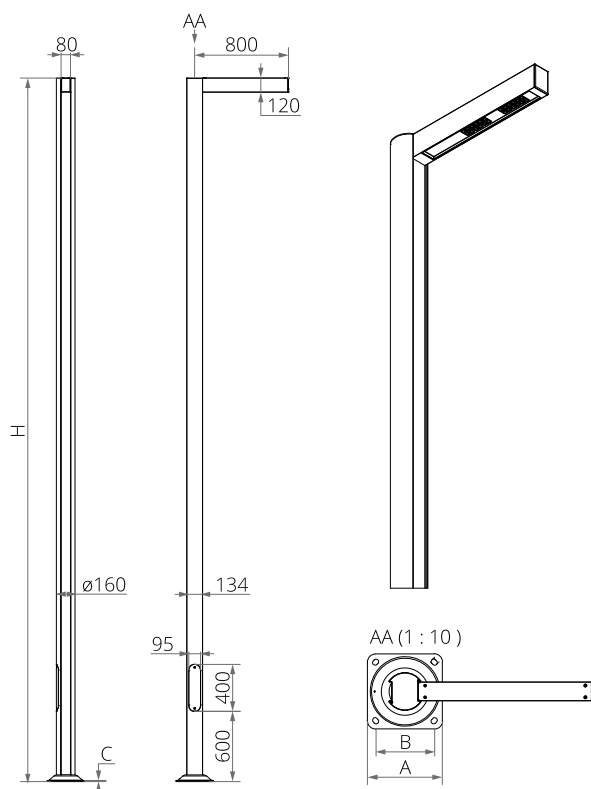
<b>Application</b>	urban roads, residential roads (internal), surrounding office buildings, parks, pedestrians, parkings
<b>Colour</b>	inox / grey
<b>Ingress protection</b>	IP 66 for the optical part and the driver
<b>Optical system</b>	PMMA optics, interchangeable LED module
<b>Material</b>	anodised aluminium alloy
<b>Unit volume</b>	0,50 m <sup>3</sup> (BEAM I LED 4,0 m) 0,60 m <sup>3</sup> (BEAM I LED 5,0 m) 0,80 m <sup>3</sup> (BEAM I LED 6,0 m) 1,10 m <sup>3</sup> (BEAM I LED 7,0 m) 1,30 m <sup>3</sup> (BEAM I LED 8,0 m)
<b>Expected useful lifetime</b>	L90B10 - 100 000 h
<b>CRI</b>	>70
<b>Inrush current</b>	21 A / 225 μs (BEAM I LED 24 - 36) 55 A / 200 μs (BEAM I LED 48 - 72)
<b>Input voltage frequency</b>	50/60Hz
<b>Power factor</b>	≥0.95
<b>Number of LED</b>	12 - (24 W, 36 W); 24 - (48 W, 60 W, 72 W)
<b>Control system</b>	LED lighting set has the possibility to connect to an external control system via DALI interface (optionally via analog signal 1-10V).



## TABLE OF VARIANTS - HEIGHTS

Symbol	Height [H]	Dimension of the base plate (A)/(B)/(C)	Concrete footing / reinforcement basket type	Concrete footing / reinforcement basket code	Fasteners	Net weight
BEAM I LED	4,0m - 40	224 / 180 / 8	B-50 / Z-50	311150 / 311205	4006	28,0kg
BEAM I LED	5,0m - 50	320 / 250 / 10	B-60 / Z-60	311160 / 311206	4008	35,5kg
BEAM I LED	6,0m - 60	320 / 250 / 10	B-60 / Z-60	311160 / 311206	4008	41,0kg
BEAM I LED	7,0m - 70	400 / 300 / 10	B-70, B-71 / Z-70, Z-71	311170, 311171 / 311207, 311271	4012	49,0kg
BEAM I LED	8,0m - 80	400 / 300 / 12	B-70, B-71 / Z-70, Z-71	311170, 311171 / 311207, 311271	4012	54,5kg

## HOW TO GENERATE VARIANT CODES



Order code

**2160000/32/3/T3**

### Arm height - H

40 - 4 m  
45 - 4,5 m  
50 - 5 m  
55 - 5,5 m  
60 - 6 m  
65 - 6,5 m  
70 - 7 m  
75 - 7,5 m  
80 - 8 m

### Arm power variant

e.g. 32/3/T3 is  
LINE I LED 36, 3500K,  
T3 optics

## TABLE OF VARIANTS - LIGHTING

Code	Symbol	LED power	Luminaire Power consumption	LED forward current	Colour temperature (CCT)	LEDs luminous flux <sup>1</sup>	Luminaire luminous flux <sup>1</sup>	Luminous efficacy
30/1/... <sup>2</sup>	BEAM I LED 24	24W	28W	700mA	2700K	4050lm	3250lm	116lm/W
30/3/... <sup>2</sup>	BEAM I LED 24	24W	28W	700mA	3500K	4350lm	3500lm	125lm/W
30/4/... <sup>2</sup>	BEAM I LED 24	24W	28W	700mA	4000K	4550lm	3650lm	130lm/W
30/6/... <sup>2</sup>	BEAM I LED 24	24W	28W	700mA	5000K	4550lm	3650lm	130lm/W
32/1/... <sup>2</sup>	BEAM I LED 36	36W	40W	1000mA	2700K	5450lm	4400lm	110lm/W
32/3/... <sup>2</sup>	BEAM I LED 36	36W	40W	1000mA	3500K	5800lm	4700lm	118lm/W
32/4/... <sup>2</sup>	BEAM I LED 36	36W	40W	1000mA	4000K	6150lm	4950lm	124lm/W
32/6/... <sup>2</sup>	BEAM I LED 36	36W	40W	1000mA	5000K	6150lm	4950lm	124lm/W
33/1/... <sup>2</sup>	BEAM I LED 48	48W	55W	700mA	2700K	8150lm	6600lm	120lm/W
33/3/... <sup>2</sup>	BEAM I LED 48	48W	55W	700mA	3500K	8650lm	7000lm	127lm/W
33/4/... <sup>2</sup>	BEAM I LED 48	48W	55W	700mA	4000K	9150lm	7400lm	135lm/W
33/6/... <sup>2</sup>	BEAM I LED 48	48W	55W	700mA	5000K	9150lm	7400lm	135lm/W
34/1/... <sup>2</sup>	BEAM I LED 60	60W	67W	830mA	2700K	9300lm	7500lm	112lm/W
34/3/... <sup>2</sup>	BEAM I LED 60	60W	67W	830mA	3500K	9850lm	7950lm	119lm/W
34/4/... <sup>2</sup>	BEAM I LED 60	60W	67W	830mA	4000K	10450lm	8450lm	126lm/W
	BEAM I LED 60	60W	67W	830mA	5000K	10450lm	8450lm	126lm/W

34/6/...<sup>2</sup>

35/1/... <sup>2</sup>	BEAM I LED 72	72W	79W	1000mA	2700K	10900lm	8800lm	111lm/W
35/3/... <sup>2</sup>	BEAM I LED 72	72W	79W	1000mA	3500K	11600lm	9350lm	118lm/W
35/4/... <sup>2</sup>	BEAM I LED 72	72W	79W	1000mA	4000K	12300lm	9950lm	126lm/W
35/6/... <sup>2</sup>	BEAM I LED 72	72W	79W	1000mA	5000K	12300lm	9950lm	126lm/W

1) tolerance +/- 5% due to LEDs accuracy

2) symbol of chosen optical system eg. 30/3/T2 is a braket BEAM I LED 24 with T2 optical system, 3500K

Finish: option of elastomer protection in the colour of LED lighting sets up to the height of 350 mm (as standard for CI63, CI65, CI75, CI78 interference colors)

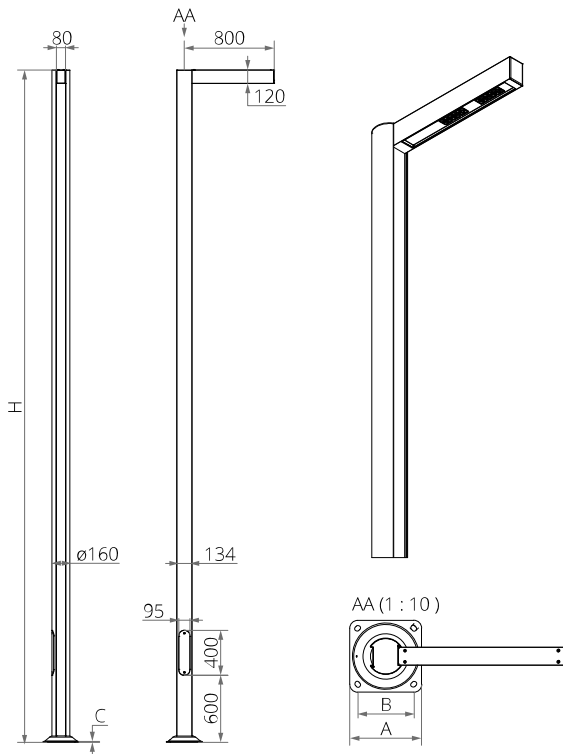
## DIRECTIVES AND STANDARDS

**DIRECTIVES:** 2014/35/UE (Official Journal of the UE L 96/357 29.03.2014), 2014/30/UE (Official Journal of the UE L 96/79 29.03.2014), 2011/65/UE RoHS (Official Journal of the UE L 174/88 01.07.2011), 2009/125/EC(Official Journal of the UE L 285/10 31.10.2009)

**STANDARDS:** PN-EN IEC 60598-1: 2021-7, PN-EN 60598-2-3: 2006, PN-EN 60529: 2003, PN-EN 62262: 2003, PN-EN 62471:2010, PN-EN 55015: 2019, PN-EN 61547: 2009, PN-EN 61000-3-2: 2019 , PN-EN 61000-3-3: 2014

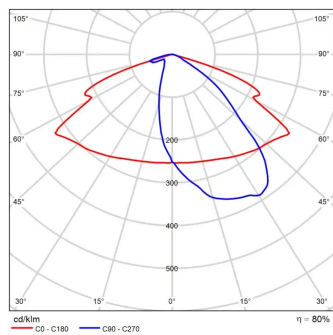
Lighting parameters presented based on laboratory tests according to IESNA LM-79-19

## TECHNICAL DRAWING

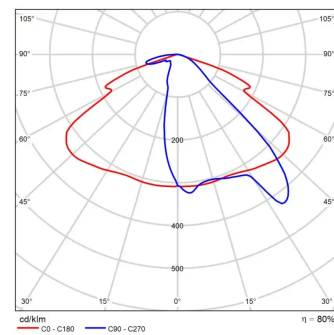


## PHOTOMETRIC CURVES

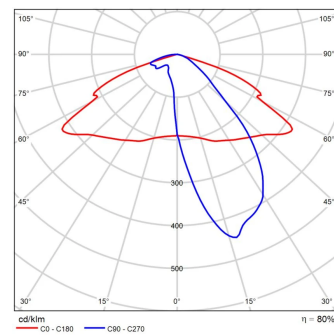
DW



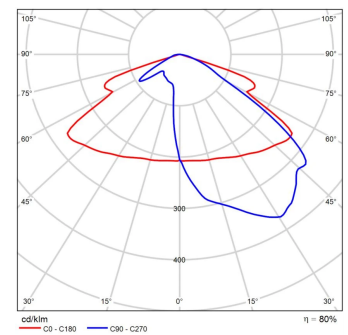
ME



T2



T3



## POWER SYSTEM FUNCTIONS

### Luminaire in standard has following functions of intelligent power supply:

- Connection to outside control system by DALI interface (operation of analog signal 1-10V as an option),
- Possibility of programming multistage dimming of luminaire, up to 5 intervals in the range of from 10 to 100% of nominal power,
- LED module equipped with thermal protection implemented via an NTC thermistor,
- Regulation of power / luminous flux – the option of setting another value than the catalogue in the range of 30-100% of nominal one,

## ACCEPTABLE QUANTITY OF LUMINAIRES ON ONE CIRCUIT

Overcurrent switches MCB type B or C

Lighting sets	Type	2A	4A	6A	10A	16A	20A	25A
BEAM I LED 24, 36W	B	3	6	10	16	26	32	40
	C	3	10	16	27	44	54	67
BEAM I LED 48, 60, 72W	B	1	2	4	6	11	13	17
	C	1	4	6	11	18	22	28

Fuse – type gG and GL

Lighting sets	2A	4A	6A	10A	16A	20A	25A
BEAM I LED 24, 36W	1	10	19	25	50	68	97
BEAM I LED 48, 60, 72W	0	4	8	11	21	29	42

## ACCEPTABLE HEIGHT

BEAM I LED	Acceptable height of the LED lighting set			
Field category	I zone Vref. = 22 m/s	I & III zone, up to 450m a.s.l. Vref. = 24 m/s	II zone Vref. = 26 m/s	III zone up to 755m a.s.l. Vref. = 28 m/s
I	7,5	7	6,5	6
II	8	7,5	7	6,5
III	8	8	7,5	7
IV	8	8	8	7,5