



TECHNICAL DATA

Assembly	on columns, extension arms, aluminium and steel wall brackets, arm systems with spigot ending \varnothing 60 x 60 mm deep
Application	parks, pedestrians
Ingress protection	IP 66 for the optical part and IP 54 for the driver
Optical system	PMMA optics, interchangeable LED module
Material	body – UV resistant polypropylene with glass fiber, diffuser – frosted PMMA or transparent PMMA
Unit volume	0,1 m ³
Operating temperature range	from -40°C to +40°C
Expected useful lifetime	L90B10 - 100 000 h
CRI	>70
Inrush current	24,6 A / 159,5 μ s
Input voltage frequency	50/60Hz
Power factor	\geq 0.95
Number of LED	16
Control system	Luminaire can be connected to an external control system and / or sensors via socket compatible with Zhaga Book 18



TABLE OF VARIANTS

Code	Symbol	Diffuser	LED power	Luminaire power consumption	LED forward current	Colour temperature (CCT)	LEDs luminous flux ¹	Luminaire luminous flux ¹	Luminous efficacy ¹	Net weight
21100550/1	OS-11 LED D4i	frosted	38 W	42 W	800 mA	2700 K	5850 lm	4600 lm	110 lm/W	4.6 kg
21100550/3	OS-11 LED D4i	frosted	38 W	42 W	800 mA	3500 K	6200 lm	4850 lm	115 lm/W	4.6 kg
21100550/4	OS-11 LED D4i	frosted	38 W	42 W	800 mA	4000 K	6700 lm	5250 lm	125 lm/W	4.6 kg
21100550/6	OS-11 LED D4i	frosted	38 W	42 W	800 mA	5000 K	6700 lm	5250 lm	125 lm/W	4.6 kg
21120550/1	OS-11 LED D4i	transparent	38 W	42 W	800 mA	2700 K	5850 lm	4800 lm	114 lm/W	4.8 kg
21120550/3	OS-11 LED D4i	transparent	38 W	42 W	800 mA	3500 K	6200 lm	5050 lm	120 lm/W	4.8 kg
21120550/4	OS-11 LED D4i	transparent	38 W	42 W	800 mA	4000 K	6700 lm	5450 lm	130 lm/W	4.8 kg
21120550/6	OS-11 LED D4i	transparent	38 W	42 W	800 mA	5000 K	6700 lm	5450 lm	130 lm/W	4.8 kg

1) tolerance +/- 5% due to LEDs accuracy

DIRECTIVES AND STANDARDS

DIRECTIVES: 2014/35/UE (Official Journal of the UE L 96/357 29.03.2014), 2014/30/UE (Official Journal of the UE L 96/79 29.03.2014), 2011/65/UE RoHS (Official Journal of the UE L 174/88 01.07.2011), 2009/125/EC(Official Journal of the UE L 285/10 31.10.2009)

STANDARDS: PN-EN IEC 60598-1: 2021-7, PN-EN 60598-2-3: 2006, PN-EN 60529: 2003, PN-EN 62262: 2003, PN-EN 62471:2010, PN-EN 55015: 2019, PN-EN 61547: 2009, PN-EN 61000-3-2: 2019, PN-EN 61000-3-3: 2014, PN-EN 62722-2-1 (tq=25°C)

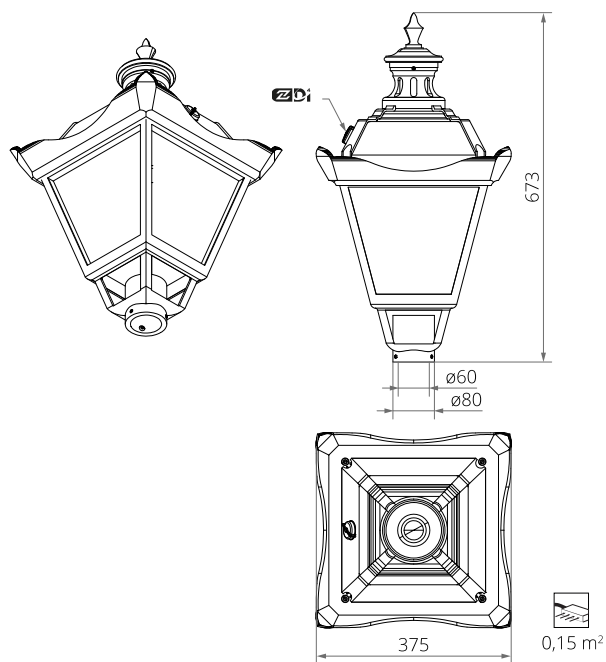
Lighting parameters presented based on laboratory tests according to IESNA LM-79-19

REMOVING ELECTROSTATIC CHARGE FROM LED LUMINAIRE BODY

In order to efficient discharge the electrostatic charge from the housing of LED fitting installed on the pole from dielectric material (non-conductive) one of the following solutions is required:

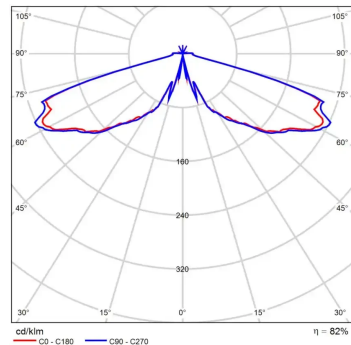
- functional grounding
- LED luminaire with an additional protection device

TECHNICAL DRAWING

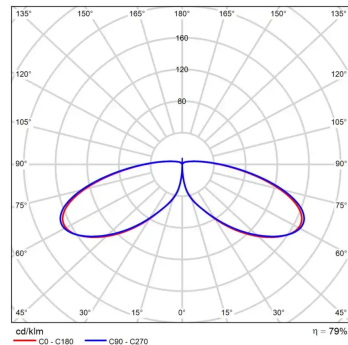


PHOTOMETRIC CURVES

TRANSPARENT SHADE



FROSTED SHADE



POWER SYSTEM FUNCTIONS

Luminaire in standard has following functions of intelligent power supply:

- Possibility of programming multistage dimming of luminaire, up to 5 intervals in the range of from 10 to 100% of nominal power,
- Regulation of power / luminous flux – the option of setting another value than the catalogue in the range of 30-100% of nominal one,

OS-11 LED D4i



ACCETABLE QUANTITY OF LUMINAIRES ON ONE CIRCUIT

Overcurrent switches MCB type B or C

Luminaire	Typ	2 A	4 A	6 A	10 A	16 A	20 A	25 A
OS-11 LED D4i	B	2	5	8	13	21	26	32
	C	2	8	13	21	35	43	54

Fuse – type gG and GL

Luminaire	2 A	4 A	6 A	10 A	16 A	20 A	25 A
OS 11 LED D4i	1	8	16	22	43	59	84

CHROMATICITY

Chromaticity	x	y
2700 K	0,4582	0,4099
3500 K	0,4080	0,3916
4000 K	0,3825	0,3798
5000 K	0,3451	0,3554

PHOTOMETRIC CODE

2700 K	727/559
3500 K	735/559
4000 K	740/559
5000 K	750/559