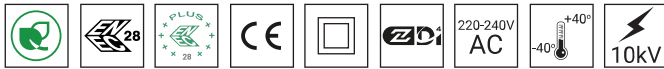




## TECHNICAL DATA

<b>Application</b>	parks, pedestrians
<b>Assembly</b>	on columns, extension arms, aluminium and steel wall brackets, arm systems with spigot ending $\varnothing$ 60 x 60 mm deep
<b>Colour</b>	black
<b>Ingress protection</b>	IP 66 for the optical part and IP 54 for the driver
<b>Optical system</b>	PMMA optics, interchangeable LED module
<b>Material</b>	body – UV resistant polypropylene with glass fiber, diffuser – frosted PMMA or transparent PMMA
<b>Unit volume</b>	0.1 m <sup>3</sup>
<b>Operating temperature range</b>	from -40°C to +40°C
<b>Expected useful lifetime</b>	L90B10 - 100 000 h
<b>CRI</b>	>70
<b>Inrush current</b>	24.6 A / 159.5 $\mu$ s
<b>Input voltage frequency</b>	50/60Hz
<b>Power factor</b>	$\geq$ 0.95
<b>Number of LED</b>	16
<b>Control system</b>	Luminaire can be connected to an external control system and / or sensors via socket compatible with Zhaga Book 18



## TABLE OF VARIANTS

Code	Symbol	Diffuser	LED power	Luminaire power consumption	LED forward current	Colour temperature (CCT)	LEDs luminous flux <sup>1</sup>	Luminaire luminous flux <sup>1</sup>	Luminous efficacy <sup>1</sup>	Net weight
21100550/1	OS-11 LED D4i	frosted	38 W	42 W	800 mA	2700 K	5850 lm	4600 lm	110 lm/W	4.6 kg
21100550/3	OS-11 LED D4i	frosted	38 W	42 W	800 mA	3500 K	6200 lm	4850 lm	115 lm/W	4.6 kg
21100550/4	OS-11 LED D4i	frosted	38 W	42 W	800 mA	4000 K	6700 lm	5250 lm	125 lm/W	4.6 kg
21100550/6	OS-11 LED D4i	frosted	38 W	42 W	800 mA	5000 K	6700 lm	5250 lm	125 lm/W	4.6 kg
21120550/1	OS-11 LED D4i	transparent	38 W	42 W	800 mA	2700 K	5850 lm	4800 lm	114 lm/W	4.8 kg
21120550/3	OS-11 LED D4i	transparent	38 W	42 W	800 mA	3500 K	6200 lm	5050 lm	120 lm/W	4.8 kg
21120550/4	OS-11 LED D4i	transparent	38 W	42 W	800 mA	4000 K	6700 lm	5450 lm	130 lm/W	4.8 kg
21120550/6	OS-11 LED D4i	transparent	38 W	42 W	800 mA	5000 K	6700 lm	5450 lm	130 lm/W	4.8 kg

1) tolerance +/- 5% due to LEDs accuracy

## DIRECTIVES AND STANDARDS

**DIRECTIVES:** 2014/35/UE (Official Journal of the UE L 96/357 29.03.2014), 2014/30/UE (Official Journal of the UE L 96/79 29.03.2014), 2011/65/UE RoHS (Official Journal of the UE L 174/88 01.07.2011), 2009/125/EC(Official Journal of the UE L 285/10 31.10.2009)

**STANDARDS:** PN-EN IEC 60598-1: 2021-7, PN-EN 60598-2-3: 2006, PN-EN 60529: 2003, PN-EN 62262: 2003, PN-EN 62471:2010, PN-EN 55015: 2019, PN-EN 61547: 2009, PN-EN 61000-3-2: 2019, PN-EN 61000-3-3: 2014, PN-EN 62722-2-1 (tq=25°C)

Lighting parameters presented based on laboratory tests according to IESNA LM-79-19

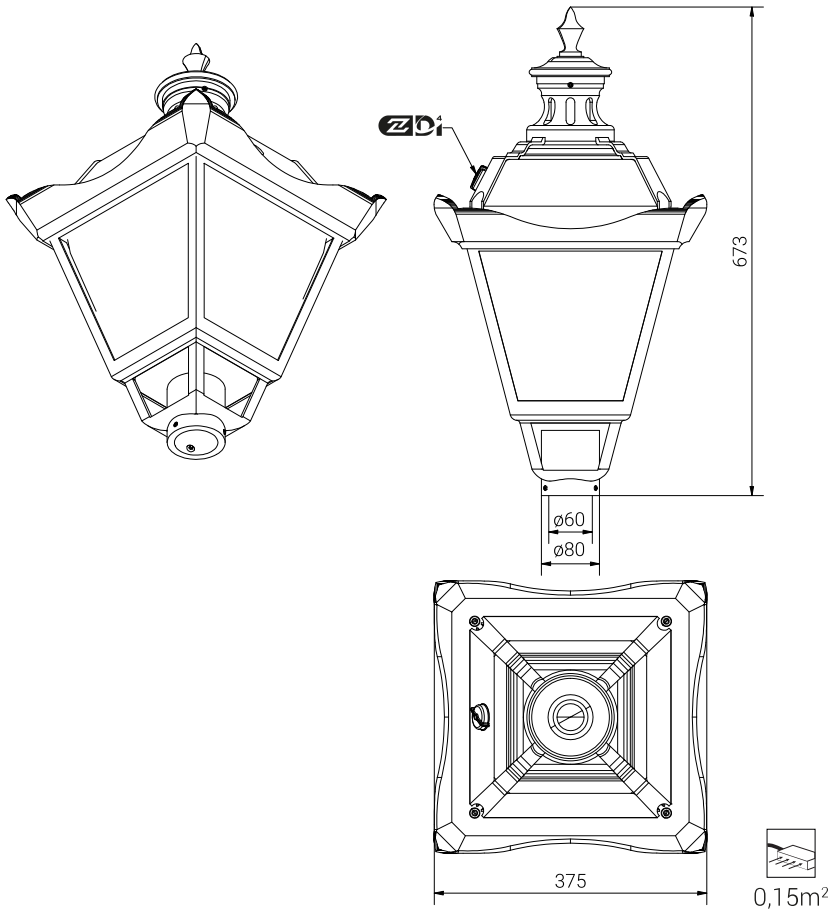
## CHARGING DISCHARGE FROM THE LED LUMINAIRE HOUSING

In order to efficient discharge the electrostatic charge from the housing of LED fitting installed on the pole from dielectric material (non-conductive) one of the following solutions is required:

- functional grounding
- LED luminaire with an additional protection device

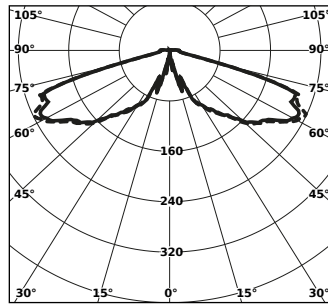
# OS-11 LED D4I

## TECHNICAL DRAWING



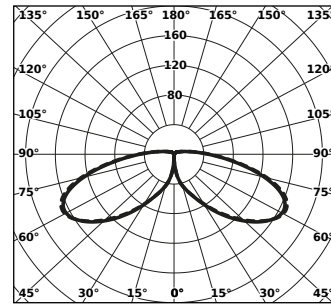
## PHOTOMETRIC CURVES

TRANSPARENT SHADE



cd/klm  
— C0 - C180    - - - C90 - C270

FROSTED SHADE



cd/klm  
— C0 - C180    - - - C90 - C270

## POWER SYSTEM FUNCTIONS

**Luminaire in standard has following functions of intelligent power supply:**

- Possibility of programming multistage dimming of luminaire, up to 5 intervals in the range of from 10 to 100% of nominal power,
- Regulation of power / luminous flux – the option of setting another value than the catalogue in the range of 30-100% of nominal one,

# OS-11 LED D4i



## ACCEPTABLE QUANTITY OF LUMINAIRES ON ONE CIRCUIT

Overcurrent switches MCB type B or C

Luminaire	Typ	2A	4A	6A	10A	16A	20A	25A
OS-11 LED D4i	B	2	5	8	13	21	26	32
	C	2	8	13	21	35	43	54

Fuse – type gG and GL

Luminaire	2A	4A	6A	10A	16A	20A	25A
OS 11 LED D4i	1	8	16	22	43	59	84

## CHROMATICITY

Chromaticity	x	y
2700K	0,4582	0,4099
3500K	0,4080	0,3916
4000K	0,3825	0,3798
5000K	0,3451	0,3554

## PHOTOMETRIC CODE

2700K	727/559
3500K	735/559
4000K	740/559
5000K	750/559