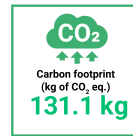


TECHNICAL DATA

Application	residential roads (internal), surrounding office buildings, parks, pedestrians, parkings
Colour	grey / inox
Ingress protection	IP 66 for the optical part and the driver
Optical system	PMMA optics, interchangeable LED module
Material	anodised aluminium alloy
Unit volume	1.1 m ³
Expected useful lifetime	L90B10 - 100 000 h
CRI	>70
Inrush current	18 A / 280 μs (STICK LED 24) 46 A / 250 μs (STICK LED 48; STICK II LED: 24, 90 24, 180 24; STICK III LED 90-90 24) 53 A / 300 μs (STICK II LED: 48, 90 48, 180 48; STICK III LED 90-90 48; STICK IV LED: 24, 90 24) 106 A / 300 μs (STICK IV LED: 48, 90 48)
Input voltage frequency	50/60Hz
Power factor	≥0.95
Number of LED	- 12 - (STICK LED 24 W) 24 - (STICK LED 48 W), 2x12 - (STICK II LED 24 W), 2x24 - (STICK II LED 48 W), 3x12 - (24 W), 3x24 - (48 W), 4x12 - (24 W), 4x24 - (48 W),
Control system	LED lighting set has the possibility to connect to an external control system via DALI interface (optionally via analog signal 1-10V).



Code	Symbol	Height of the column [H]	LED power	Luminaire power consumption	LED forward current	Colour temperature (CCT)	LEDs luminous flux ¹	Luminaire luminous flux ¹	Luminous efficacy ¹	Unit volume	Concrete footing / reinforcement type	Fasteners	Net weight
217333/4/... ²	STICK II LED 180 48	5 m	48 W x 2	55 W x 2	700 mA	4000 K	9150 lm x 2	7400 lm x 2	135 lm/W	1.1 m ³	B-60 / Z-60	4008	67 kg

1) tolerance +/- 5% due to LEDs accuracy

2) symbol of chosen optical system eg. 217030/3/T2 is a bracket STICK LED 24 3500K with T2 optical system

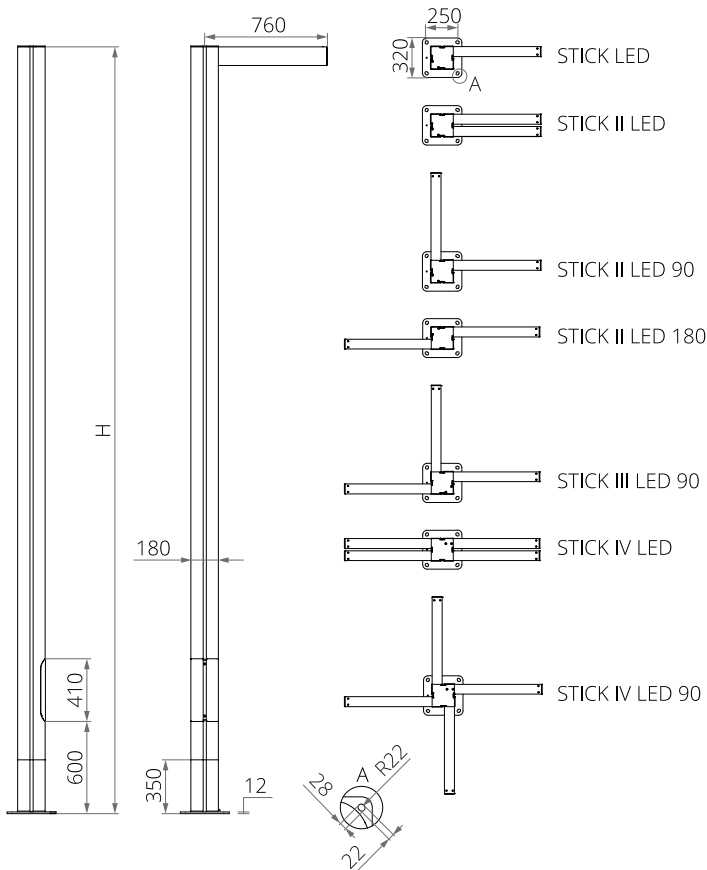
DIRECTIVES AND STANDARDS

DIRECTIVES: 2014/35/UE (Official Journal of the UE L 96/357 29.03.2014), 2014/30/UE (Official Journal of the UE L 96/79 29.03.2014), 2011/65/UE RoHS (Official Journal of the UE L 174/88 01.07.2011), 2009/125/EC (Official Journal of the UE L 285/10 31.10.2009)

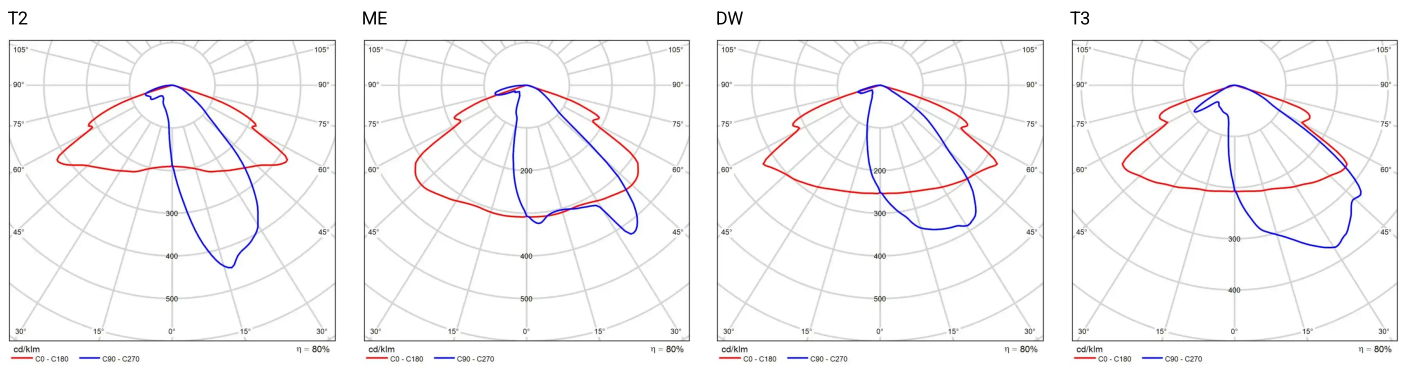
STANDARDS: PN-EN IEC 60598-1: 2021-7, PN-EN 60598-2-3: 2006, PN-EN 60529: 2003, PN-EN 62262: 2003, PN-EN 62471:2010, PN-EN 55015: 2019, PN-EN 61547: 2009, PN-EN 61000-3-2: 2019, PN-EN 61000-3-3: 2014

Lighting parameters presented based on laboratory tests according to IESNA LM-79-19

TECHNICAL DRAWING



PHOTOMETRIC CURVES



POWER SYSTEM FUNCTIONS

Luminaire in standard has following functions of intelligent power supply:

- Connection to outside control system by DALI interface (operation of analog signal 1-10V as an option),
- Possibility of programming multistage dimming of luminaire, up to 5 intervals in the range of from 10 to 100% of nominal power,
- LED module equipped with thermal protection implemented via an NTC thermistor,
- Regulation of power / luminous flux – the option of setting another value than the catalogue in the range of 30-100% of nominal one,

ACCEPTABLE QUANTITY OF LUMINAIRES ON ONE CIRCUIT

Overcurrent switches MCB type B or C

Lighting set	Type	2A	4A	6A	10A	16A	20A	25A
STICK LED 24	B	3	6	10	16	26	32	40
	C	3	10	16	27	44	54	67
STICK II LED 24 STICK LED 48 STICK III LED 24	B	1	2	4	6	11	13	17
	C	1	4	6	11	18	22	28
STICK II LED 48 STICK III LED 48 STICK IV LED 24	B	1	2	3	5	8	10	12
	C	1	3	5	8	13	16	20
STICK IV LED 48	B	0	1	1	2	4	5	6
	C	0	1	2	4	6	8	10

Fuse – type gG and GL

Lighting set	2A	4A	6A	10A	16A	20A	25A
STICK LED 24	1	10	19	25	50	68	97
STICK II LED 24 STICK LED 48 STICK III LED 24	0	4	8	11	21	29	42
STICK II LED 48 STICK IV LED 24	0	3	6	8	17	23	33
STICK III LED 48	0	3	6	8	17	22	27
STICK IV LED 48	0	1	3	4	8	11	16

ACCEPTABLE HEIGHT

STICK I LED	Acceptable height of the LED lighting set			
Field category	I zone Vref. = 22 m/s	I & III zone, up to 450m a.s.l. Vref. = 24 m/s	II zone Vref. = 26 m/s	III zone up to 755m a.s.l. Vref. = 28 m/s
I	6	5,5	5	4,5
II	6	5,5	5,5	5
III	6	6	5,5	5,5
IV	6	6	6	6

STICK II LED	Acceptable height of the LED lighting set			
Field category	I zone Vref. = 22 m/s	I & III zone, up to 450m a.s.l. Vref. = 24 m/s	II zone Vref. = 26 m/s	III zone up to 755m a.s.l. Vref. = 28 m/s
I	5,5	5	4,5	4
II	6	5,5	5	4,5
III	6	6	5,5	5
IV	6	6	6	5,5

STICK III/IV LED	Acceptable height of the LED lighting set			
Field category	I zone Vref. = 22 m/s	I & III zone, up to 450m a.s.l. Vref. = 24 m/s	II zone Vref. = 26 m/s	III zone up to 755m a.s.l. Vref. = 28 m/s
I	5,5	5	4,5	4
II	5,5	5	4,5	4,5
III	6	5,5	5	5
IV	6	6	5,5	5,5