

TECHNICAL DATA

Anodising	10 colours
Purpose	for fitting luminaires with a mounting diameter of $\varnothing 42$ mm
Assembly	wall-mounted aluminium luminaires
Material	anodised aluminium alloy

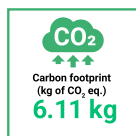
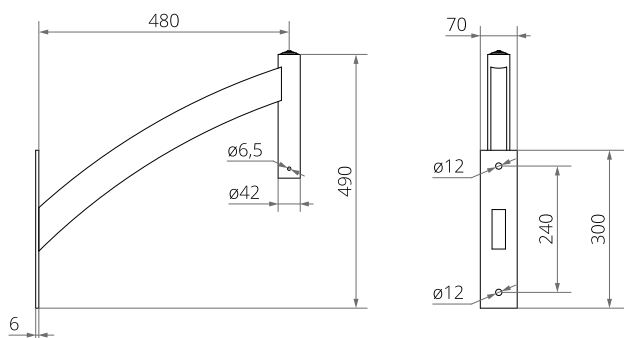


TABLE OF VARIANTS

Code	Symbol	Number of arms	Unit volume	Luminaire mounting diameter	Net weight
478102/C...	KA-C1	1	0.009 m ³	$\varnothing 42$ mm	1.1 kg



ANODISING COLOURS

