



TECHNICAL DATA

Assembly	suspended or on WN type extension arms
Application	parkings, industrial halls, sports facilities
Colour	inox / black
Ingress protection	IP 66 for the optical part and the driver
Optical system	PMMA optics, interchangeable LED module
Material	anodised aluminium alloy
Unit volume	0.022 m ³
Expected useful lifetime	L90B10 - 100 000 h
CRI	>70
Inrush current	67 A / 210 μs
Input voltage frequency	50/60Hz
Power factor	≥0.95
Number of LED	48
Control system	Luminaire has the possibility to connect to an external control system via DALI interface (optionally via analog signal 1- 10V).
Windage	depending on angular settings (0° - 0,08 m ² ; 30° - 0,12 m ²)

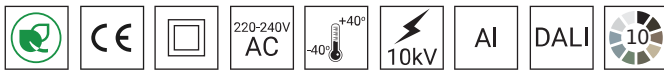


TABLE OF VARIANTS

Code	Symbol	LED power	Luminaire power consumption	LED forward current	Colour temperature (CCT)	LEDs luminous flux ¹	Luminaire luminous flux ¹	Luminous efficacy ¹	Net weight
229041/1	ARTEMIS LED 144	144 W	154 W	1000 mA	2700 K	21400 lm	19250 lm	125 lm/W	8.7 kg
229041/3	ARTEMIS LED 144	144 W	154 W	1000 mA	3500 K	22700 lm	20450 lm	133 lm/W	8.7 kg
229041/4	ARTEMIS LED 144	144 W	154 W	1000 mA	4000 K	24200 lm	21800 lm	142 lm/W	8.7 kg
229041/6	ARTEMIS LED 144	144 W	154 W	1000 mA	5000 K	24200 lm	21800 lm	142 lm/W	8.7 kg

1) tolerance +/- 5% due to LEDs accuracy

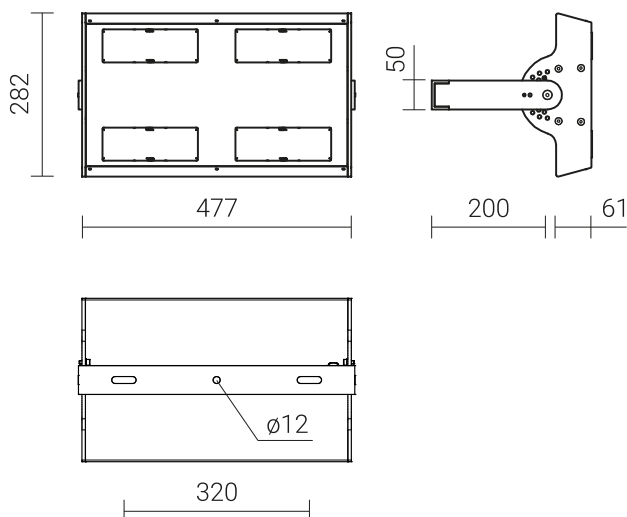
DIRECTIVES AND STANDARDS

DIRECTIVES: 2014/35/UE (Official Journal of the UE L 96/357 29.03.2014), 2014/30/UE (Official Journal of the UE L 96/79 29.03.2014), 2011/65/UE RoHS (Official Journal of the UE L 174/88 01.07.2011), 2009/125/EC (Official Journal of the UE L 285/10 31.10.2009)

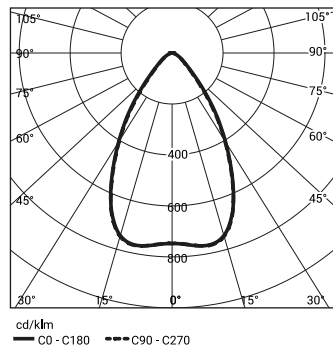
STANDARDS: PN-EN IEC 60598-1: 2021-7, PN-EN 60598-2-3: 2006, PN-EN 60529: 2003, PN-EN 62262: 2003, PN-EN 62471:2010, PN-EN 55015: 2019, PN-EN 61547: 2009, PN-EN 61000-3-2: 2019, PN-EN 61000-3-3: 2014

Lighting parameters presented based on laboratory tests according to IESNA LM-79-19

TECHNICAL DRAWING



HB



Overcurrent switches MCB type B or C

Luminaire	Typ	2A	4A	6A	10A	16A	20A	25A
ARTEMIS LED	B	1	2	3	5	8	10	12
	C	1	3	5	8	13	16	20

Fuse – type gG and GL

Luminaire	2A	4A	6A	10A	16A	20A	25A
ARTEMIS LED	0	3	6	8	17	23	29