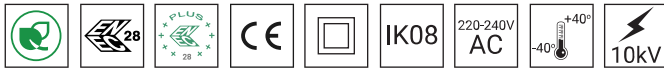




## TECHNICAL DATA

<b>Application</b>	motorways and expressway, urban roads, residential roads (internal), pedestrians, parkings
<b>Assembly</b>	directly on column with $\varnothing$ 60 x 180 mm ending or on extension arm with $\varnothing$ 60 x 100 mm ending
<b>Colour</b>	inox / black
<b>Ingress protection</b>	IP 66 for the optical part and the driver
<b>Optical system</b>	PMMA optics, interchangeable LED module, PC-UV diffuser
<b>Material</b>	anodised aluminium alloy
<b>Unit volume</b>	-
<b>Operating temperature range</b>	from -40°C to +40°C
<b>Expected useful lifetime</b>	L90B10 - 100 000 h
<b>CRI</b>	>70
<b>Inrush current</b>	43 A / 260 $\mu$ s (CUDDLE II LED 48 - 72) 77 A / 150 $\mu$ s (CUDDLE II LED 96 - 144) 11,5 A / 1320 $\mu$ s (CUDDLE II LED 192)
<b>Input voltage frequency</b>	50/60Hz
<b>Power factor</b>	$\geq$ 0.95
<b>Number of LED</b>	24
<b>Control system</b>	Luminaire has the possibility to connect to an external control system via DALI interface (optionally via analog signal 1- 10V).



Code	Symbol	LED power	Luminaire power consumption	LED forward current	Colour temperature (CCT)	LEDs luminous flux <sup>1</sup>	Luminaire luminous flux <sup>1</sup>	Luminous efficacy <sup>1</sup>	Net weight
2223134/6/... <sup>2</sup>	CUDDLE II LED REG 60	60 W	67 W	830 mA	5000 K	10450 lm	8900 lm	133 lm/W	6 kg

1) tolerance +/- 5% due to LEDs accuracy

2) symbol of chosen optical system eg. 2223133/6/T2 is CUDDLE II LED REG 48 5000K with T2 optical system

\*For the CUDDLE II LED REG luminaire with P2 and PL optics it is possible to choose an additional light colour temperature: 5700K. The product code is then supplemented with the designation '/7'. Example: 2223133/7/P2 -CUDDLE II LED REG 48W 5700K luminaire with P2 optics

## DIRECTIVES AND STANDARDS

**DIRECTIVES:** 2014/35/UE (Official Journal of the UE L 96/357 29.03.2014), 2014/30/UE (Official Journal of the UE L 96/79 29.03.2014), 2011/65/UE RoHS (Official Journal of the UE L 174/88 01.07.2011), 2009/125/EC(Official Journal of the UE L 285/10 31.10.2009)

**STANDARDS:** PN-EN IEC 60598-1: 2021-7, PN-EN 60598-2-3: 2006, PN-EN 60529: 2003, PN-EN 62262: 2003, PN-EN 62471:2010, PN-EN 55015: 2019, PN-EN 61547: 2009, PN-EN 61000-3-2: 2019 , PN-EN 61000-3-3: 2014, PN-EN 62722-2-1 (tq=40°C)

Lighting parameters presented based on laboratory tests according to IESNA LM-79-19

## REMOVING ELECTROSTATIC CHARGE FROM LED LUMINAIRE BODY

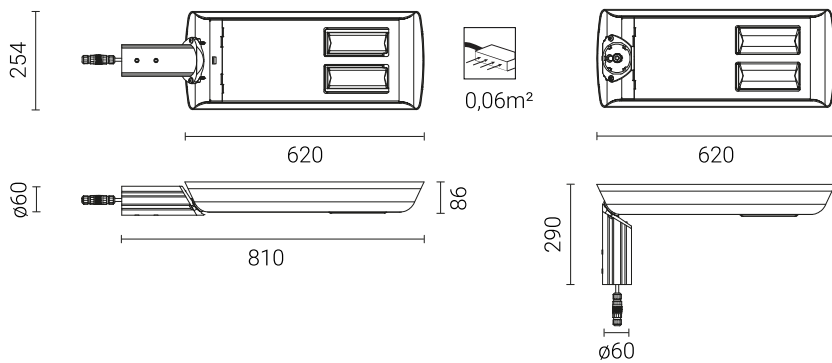
In order to efficient discharge the electrostatic charge from the housing of LED fitting installed on the pole from dielectric material (non-conductive) one of the following solutions is required:

- functional grounding
- LED luminaire with an additional protection device

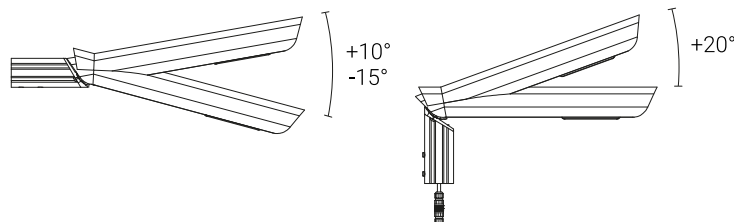
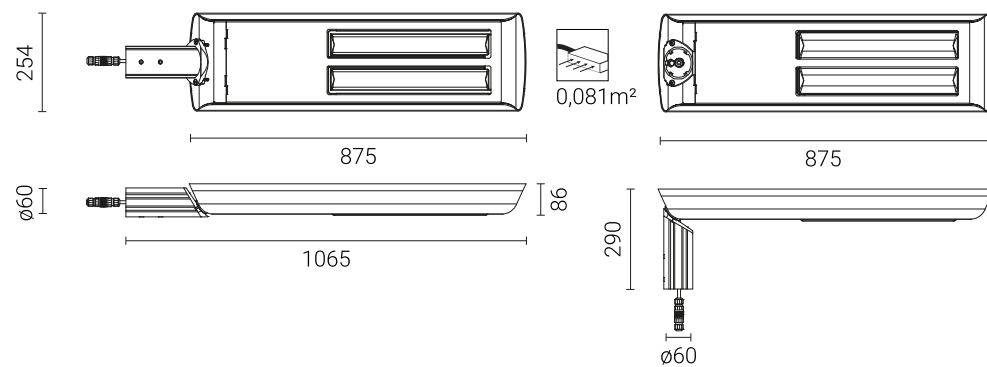
# CUDDLE II LED REG 60

## TECHNICAL DRAWING

### CUDDLE II LED REG 48W, 60W, 72W

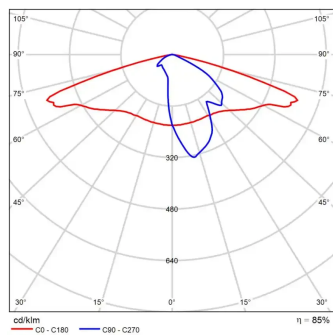


### CUDDLE II LED REG 96W, 120W, 144W, 192W

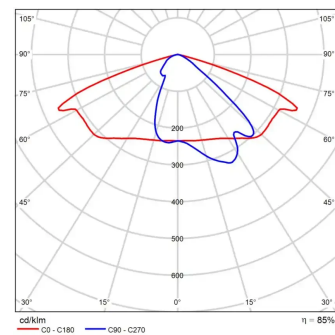


## PHOTOMETRIC CURVES

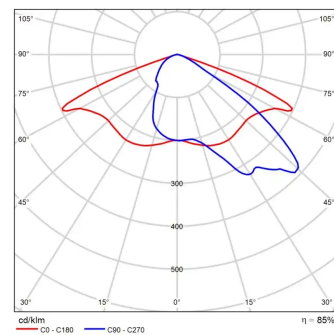
DW



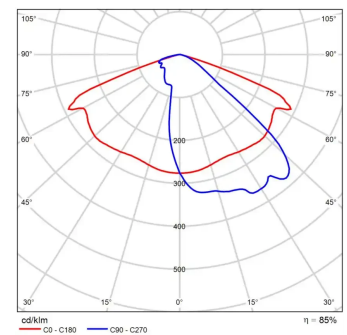
LM



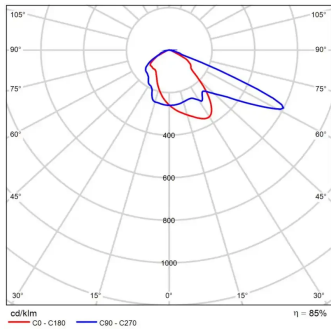
LW



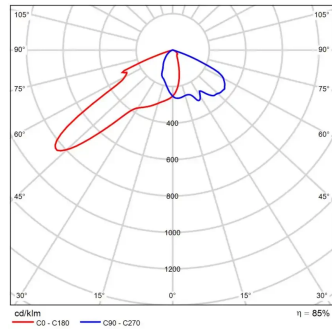
ME



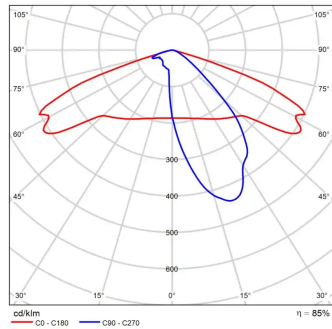
P2



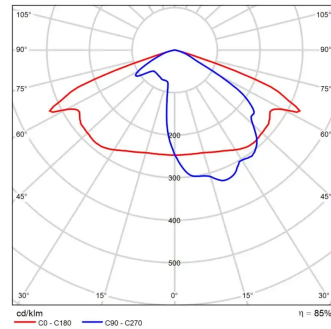
PL



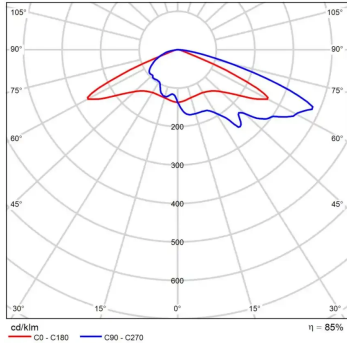
T2



T3



T4



## POWER SYSTEM FUNCTIONS

Luminaire in standard has following functions of intelligent power supply:

- Connection to outside control system by DALI interface (operation of analog signal 1-10V as an option),
- Possibility of programming multistage dimming of luminaire, up to 5 intervals in the range of from 10 to 100% of nominal power,
- LED module equipped with thermal protection implemented via an NTC thermistor,
- Regulation of power / luminous flux – the option of setting another value than the catalogue in the range of 30-100% of nominal one,

## ACCEPTABLE QUANTITY OF LUMINAIRES ON ONE CIRCUIT

Overcurrent switches MCB type B or C

Luminaire	Typ	2A	4A	6A	10A	16A	20A	25A
CUDDLE II LED 48, 60, 72W	B	1	2	4	6	10	12	15
	C	1	4	6	10	17	20	26
CUDDLE II LED 96, 120, 144W	B	1	2	3	5	9	11	14
	C	1	3	5	9	15	18	23
CUDDLE II LED 192W	B	1	2	4	6	10	12	15
	C	1	4	6	10	17	20	26

Fuse – type gG and GL

Luminaire	2A	4A	6A	10A	16A	20A	25A
CUDDLE II LED 48, 60, 72W	0	4	8	11	22	31	44
CUDDLE II LED 96, 120, 144W	0	3	6	8	16	22	29
CUDDLE II LED 192W	1	3	5	8	14	17	22

## CHROMATICITY

Chromaticity	x	y
2700K	0,4582	0,4099
3500K	0,4080	0,3916
4000K	0,3825	0,3798
5000K	0,3451	0,3554

## PHOTOMETRIC CODE

2700K	727/559
3500K	735/559
4000K	740/559
5000K	750/559