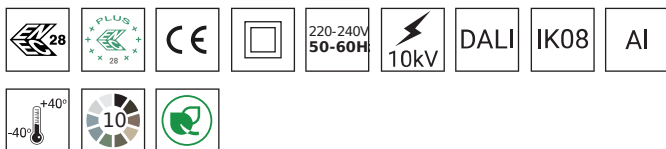




## TECHNICAL DATA

<b>Assembly</b>	directly on column with $\varnothing$ 60 x 180 mm ending or on extension arm with $\varnothing$ 60 x 100 mm ending
<b>Application</b>	urban roads, residential roads (internal), pedestrians, parkings
<b>Colour</b>	inox / black
<b>Ingress protection</b>	IP 66 for the optical part and the driver
<b>Optical system</b>	PMMA optics, interchangeable LED module
<b>Material</b>	anodised aluminium alloy, diffuser – tempered glass
<b>Unit volume</b>	0,013 m <sup>3</sup>
<b>Operating temperature range</b>	from -40°C to +40°C
<b>Expected useful lifetime</b>	L90B10 - 100 000 h
<b>CRI</b>	>70
<b>Inrush current</b>	18 A / 280 $\mu$ s (CUDDLE MINI LED 12 - 36) 98 A / 120 $\mu$ s (CUDDLE MINI LED 48 - 60)
<b>Input voltage frequency</b>	50/60Hz
<b>Power factor</b>	$\geq$ 0.95
<b>Number of LED</b>	16
<b>Control system</b>	Luminaire has the possibility to connect to an external control system via DALI interface (optionally via analog signal 1- 10V).



## TABLE OF VARIANTS

Code	Symbol	LED power	Luminaire power consumption	LED forward current	Colour temperature (CCT)	LEDs luminous flux <sup>1</sup>	Luminaire luminous flux <sup>1</sup>	Luminous efficacy <sup>1</sup>	Net weight
222827/1/... <sup>2</sup>	CUDDLE MINI LED REG 12	12 W	15 W	140 mA	2700 K	2450 lm	2050 lm	137 lm/W	4.8 kg
222827/3/... <sup>2</sup>	CUDDLE MINI LED REG 12	12 W	15 W	140 mA	3500 K	2600 lm	2150 lm	143 lm/W	4.8 kg
222827/4/... <sup>2</sup>	CUDDLE MINI LED REG 12	12 W	15 W	140 mA	4000 K	2650 lm	2200 lm	147 lm/W	4.8 kg
222827/6/... <sup>2</sup>	CUDDLE MINI LED REG 12	12 W	15 W	140 mA	5000 K	2600 lm	2150 lm	143 lm/W	4.8 kg
222830/1/... <sup>2</sup>	CUDDLE MINI LED REG 24	24 W	26 W	250 mA	2700 K	4250 lm	3550 lm	137 lm/W	4.8 kg
222830/3/... <sup>2</sup>	CUDDLE MINI LED REG 24	24 W	26 W	250 mA	3500 K	4450 lm	3700 lm	142 lm/W	4.8 kg
222830/4/... <sup>2</sup>	CUDDLE MINI LED REG 24	24 W	26 W	250 mA	4000 K	4600 lm	3800 lm	146 lm/W	4.8 kg
222830/6/... <sup>2</sup>	CUDDLE MINI LED REG 24	24 W	26 W	250 mA	5000 K	4500 lm	3750 lm	144 lm/W	4.8 kg
222832/1/... <sup>2</sup>	CUDDLE MINI LED REG 36	36 W	39 W	375 mA	2700 K	6200 lm	5150 lm	132 lm/W	4.8 kg
222832/3/... <sup>2</sup>	CUDDLE MINI LED REG 36	36 W	39 W	375 mA	3500 K	6500 lm	5400 lm	138 lm/W	4.8 kg
222832/4/... <sup>2</sup>	CUDDLE MINI LED REG 36	36 W	39 W	375 mA	4000 K	6650 lm	5500 lm	141 lm/W	4.8 kg
222832/6/... <sup>2</sup>	CUDDLE MINI LED REG 36	36 W	39 W	375 mA	5000 K	6550 lm	5450 lm	140 lm/W	4.8 kg
222833/1/... <sup>2</sup>	CUDDLE MINI LED REG 48	48 W	54 W	500 mA	2700 K	7950 lm	6600 lm	122 lm/W	4.8 kg
222833/3/... <sup>2</sup>	CUDDLE MINI LED REG 48	48 W	54 W	500 mA	3500 K	8300 lm	6900 lm	128 lm/W	4.8 kg
222833/4/... <sup>2</sup>	CUDDLE MINI LED REG 48	48 W	54 W	500 mA	4000 K	8550 lm	7100 lm	131 lm/W	4.8 kg
222833/6/... <sup>2</sup>	CUDDLE MINI LED REG 48	48 W	54 W	500 mA	5000 K	8450 lm	7000 lm	130 lm/W	4.8 kg
222834/1/... <sup>2</sup>	CUDDLE MINI LED REG 60	60 W	67 W	625 mA	2700 K	9650 lm	8000 lm	119 lm/W	4.8 kg
222834/3/... <sup>2</sup>	CUDDLE MINI LED REG 60	60 W	67 W	625 mA	3500 K	10100 lm	8400 lm	125 lm/W	4.8 kg
222834/4/... <sup>2</sup>	CUDDLE MINI LED REG 60	60 W	67 W	625 mA	4000 K	10350 lm	8600 lm	128 lm/W	4.8 kg
222834/6/... <sup>2</sup>	CUDDLE MINI LED REG 60	60 W	67 W	625 mA	5000 K	10250 lm	8500 lm	127 lm/W	4.8 kg

1) tolerance +/- 5% due to LEDs accuracy

2) symbol of chosen optical system eg. 222833/6/T2 is CUDDLE MINI LED REG 48 5000K with T2 optical system

\*For the CUDDLE MINI LED REG luminaire with P2 and PL optics it is possible to choose an additional light colour temperature: 5700K. The product code is then supplemented with the designation '/7'. Example: 222833/7/P2 -CUDDLE MINI LED REG 48W 5700K luminaire with P2 optics

## DIRECTIVES AND STANDARDS

**DIRECTIVES:** 2014/35/UE (Official Journal of the UE L 96/357 29.03.2014), 2014/30/UE (Official Journal of the UE L 96/79 29.03.2014), 2011/65/UE RoHS (Official Journal of the UE L 174/88 01.07.2011), 2009/125/EC(Official Journal of the UE L 285/10 31.10.2009)

**STANDARDS:** PN-EN IEC 60598-1: 2021-7, PN-EN 60598-2-3: 2006, PN-EN 60529: 2003, PN-EN 62262: 2003, PN-EN 62471:2010, PN-EN 55015: 2019, PN-EN 61547: 2009, PN-EN 61000-3-2: 2019 , PN-EN 61000-3-3: 2014

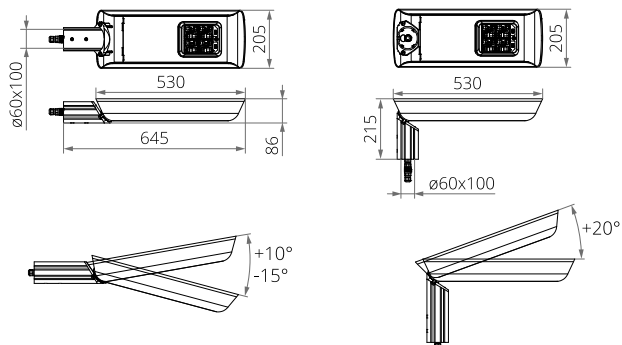
Lighting parameters presented based on laboratory tests according to IESNA LM-79-19

## REMOVING ELECTROSTATIC CHARGE FROM LED LUMINAIRE BODY

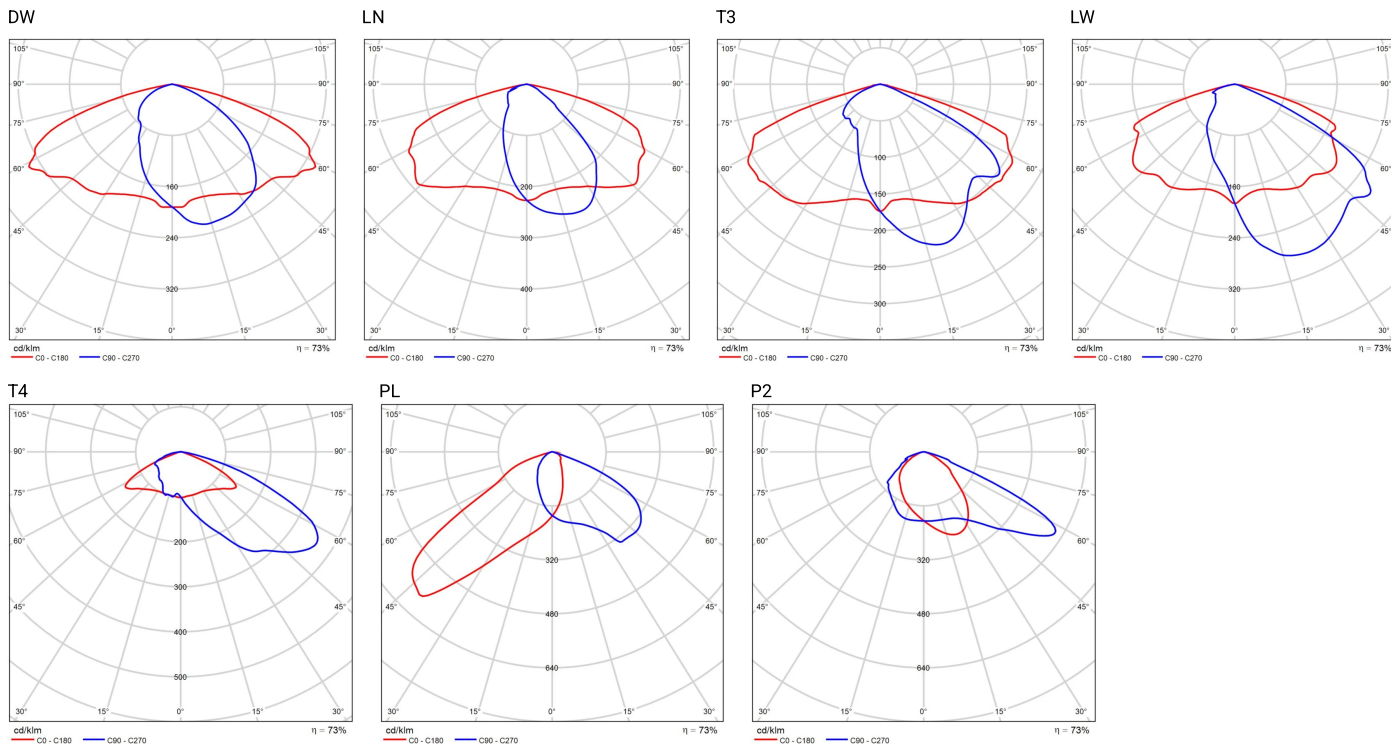
In order to efficient discharge the electrostatic charge from the housing of LED fitting installed on the pole from dielectric material (non-conductive) one of the following solutions is required:

- functional grounding
- LED luminaire with an additional protection device

## TECHNICAL DRAWING



## PHOTOMETRIC CURVES



## POWER SYSTEM FUNCTIONS

Luminaire in standard has following functions of intelligent power supply:

- Connection to outside control system by DALI interface (operation of analog signal 1-10V as an option),
- Possibility of programming multistage dimming of luminaire, up to 5 intervals in the range of from 10 to 100% of nominal power,
- LED module equipped with thermal protection implemented via an NTC thermistor,
- Regulation of power / luminous flux – the option of setting another value than the catalogue in the range of 30-100% of nominal one,

# CUDDLE MINI LED REG



## ACCEPTABLE QUANTITY OF LUMINAIRES ON ONE CIRCUIT

Overcurrent switches MCB type B or C

Luminaire	Typ	2A	4A	6A	10A	16A	20A	25A
CUDDLE MINI LED 12, 24, 36W	B	4	7	12	18	30	37	46
	C	4	12	18	31	51	62	78
CUDDLE MINI LED 48W	B	1	2	4	6	10	12	15
	C	1	4	6	10	17	20	26
CUDDLE MINI LED 60W	B	4	8	13	20	33	41	51
	C	4	13	20	34	56	68	85

Fuse – type gG and GL

Luminaire	2A	4A	6A	10A	16A	20A	25A
CUDDLE MINI LED 12, 24, 36W	1	10	20	26	52	71	101
CUDDLE MINI LED 48W	0	4	8	11	22	31	44
CUDDLE MINI LED 60W	0	2	4	5	11	16	22