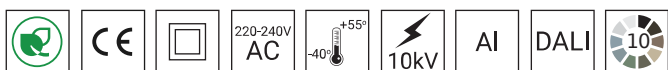
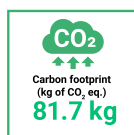




TECHNICAL DATA

Anodising	10 colours
Diffuser	frosted (PMMA)
Application	surrounding office buildings, parks, pedestrians
Ingress protection	IP 65 for the optical part and the driver
Material	anodised aluminium alloy
Expected useful lifetime	L90B10 - 100 000 h
CRI	>70
Inrush current	46 A / 250 μ s
Input voltage frequency	50/60Hz
Number of LED	16 (KARIN 2400 LED), 24 (KARIN 3600 - 4800 LED)
Control system	Luminaire has the possibility to connect to an external control system via analog signal 1- 10V.



Code	Symbol	Diffuser	Height of the column [H]	LED power	Luminaire power consumption	LED forward current	Colour temperature (CCT)	LEDs luminous flux ¹	Luminaire luminous flux ¹	Luminous efficacy ¹	Concrete footing / reinforcement basket type	Net weight
45254/3/C...	KARIN 4800 LED 48W	frosted (PMMA)	4 800 mm	48 W	55 W	700 mA	3500 K	8650 lm	5200 lm	95 lm/W	B-60 / Z-60	32 kg

1) tolerance +/- 5% due to LEDs accuracy

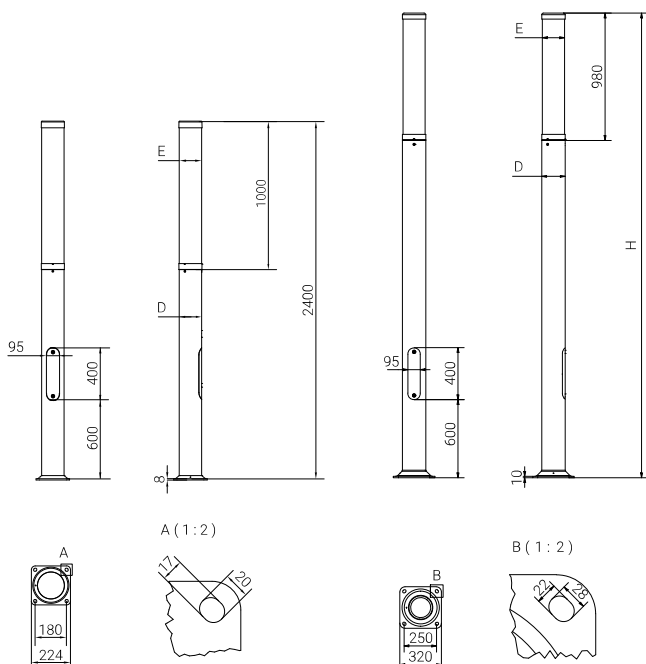
DIRECTIVES AND STANDARDS

DIRECTIVES: 2014/35/UE (Official Journal of the UE L 96/357 29.03.2014), 2014/30/UE (Official Journal of the UE L 96/79 29.03.2014), 2011/65/UE RoHS (Official Journal of the UE L 174/88 01.07.2011), 2009/125/EC (Official Journal of the UE L 285/10 31.10.2009)

STANDARDS: PN-EN IEC 60598-1: 2021-7, PN-EN 60598-2-3: 2006, PN-EN 60529: 2003, PN-EN 62262: 2003, PN-EN 62471:2010, PN-EN 55015: 2019, PN-EN 61547: 2009, PN-EN 61000-3-2: 2019, PN-EN 61000-3-3: 2014

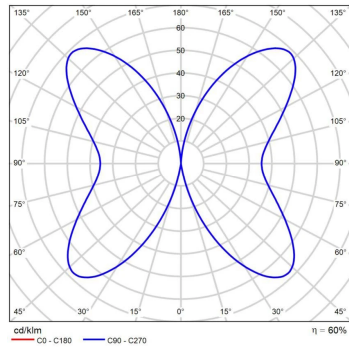
Lighting parameters presented based on laboratory tests according to IESNA LM-79-19

TECHNICAL DRAWING

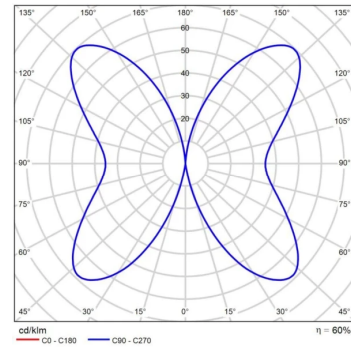


PHOTOMETRIC CURVES

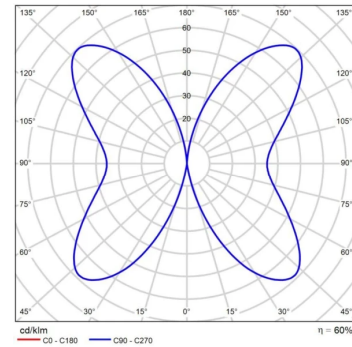
KARIN 2400 LED



KARIN 3600 LED



KARIN 4800 LED



POWER SYSTEM FUNCTIONS

Luminaire in standard has following functions of intelligent power supply:

- Connection to outside control system by DALI interface (operation of analog signal 1-10V as an option),
- Possibility of programming multistage dimming of luminaire, up to 5 intervals in the range of from 10 to 100% of nominal power,
- Regulation of power / luminous flux – the option of setting another value than the catalogue in the range of 30-100% of nominal one,

ACCECTABLE QUANTITY OF LUMINAIRES ON ONE CIRCUIT

Overcurrent switches MCB type B or C

Lighting columns	Typ	2A	4A	6A	10A	16A	20A	25A
KARIN 2400-4800 LED	B	1	2	4	6	10	12	15
	C	1	4	6	10	17	20	26

Fuse – type gG and GL

Lighting columns	2A	4A	6A	10A	16A	20A	25A
KARIN 2400-4800 LED	0	4	8	11	22	31	44