



TECHNICAL DATA

Anodising	10 colours
Packing	sleeve material
Purpose	for mounting floodlights
Assembly	on aluminium masts with a $\varnothing 100 \times 180$ mm ending
Finish	grinded, anodised aluminium
Material	anodised aluminium alloy
CE	the extension arm with the pole make a set - for extension arms, the Declaration of Performance applies to the pole on which extension arms is mounted

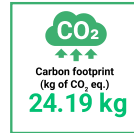
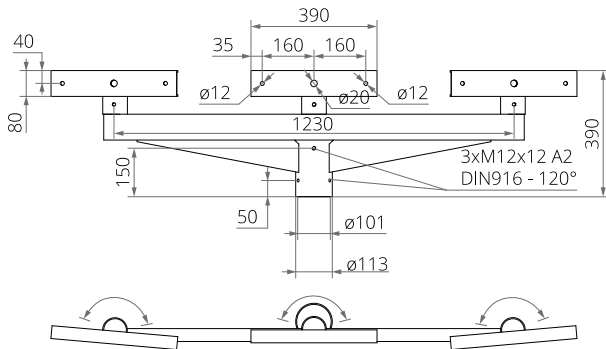


TABLE OF VARIANTS

Code	Symbol	Number of arms	Unit volume	Effective projected area	Type of luminaires	Net weight
474311/C...	WM-31 REG	3	0.087 m ³	0.281 m ²	floodlights	10 kg



ANODISING COLOURS

