



## TECHNICAL DATA

|                                    |                                                                                                                                  |
|------------------------------------|----------------------------------------------------------------------------------------------------------------------------------|
| <b>Assembly</b>                    | on extension arms, columns with extension arms with ø 60 x 50 mm ending                                                          |
| <b>Application</b>                 | surrounding office buildings, parks, pedestrians, parkings                                                                       |
| <b>Ingress protection</b>          | IP 66                                                                                                                            |
| <b>Optical system</b>              | PMMA optics, interchangeable LED module                                                                                          |
| <b>Material</b>                    | cap – formed aluminium sheet<br>diffuser - tempered glass<br>luminaire body - aluminum alloy, anodized                           |
| <b>Unit volume</b>                 | 0,08 m³                                                                                                                          |
| <b>Operating temperature range</b> | from -40°C to +40°C                                                                                                              |
| <b>Expected useful lifetime</b>    | L90B10 - 100 000 h                                                                                                               |
| <b>CRI</b>                         | >70                                                                                                                              |
| <b>Inrush current</b>              | 18 A / 280 µs (RING LED 12 - 36)<br>43 A / 260 µs (RING LED 48)                                                                  |
| <b>Input voltage frequency</b>     | 50/60Hz                                                                                                                          |
| <b>Power factor</b>                | ≥0.95                                                                                                                            |
| <b>Number of LED</b>               | 16                                                                                                                               |
| <b>Control system</b>              | Luminaire has the possibility to connect to an external control system via DALI interface (optionally via analog signal 1- 10V). |



## TABLE OF VARIANTS

| Code                 | Symbol          | LED power | Luminaire power consumption | LED forward current | Colour temperature (CCT) | LEDs luminous flux <sup>1</sup> | Luminaire luminous flux <sup>1</sup> | Luminous efficacy <sup>1</sup> | Net weight |
|----------------------|-----------------|-----------|-----------------------------|---------------------|--------------------------|---------------------------------|--------------------------------------|--------------------------------|------------|
| 212127/C/1/...²/C... | RING 2 LED C 12 | 12 W      | 15 W                        | 280 mA              | 2700 K                   | 2400 lm                         | 1850 lm                              | 123 lm/W                       | 7.6 kg     |
| 212127/C/3/...²/C... | RING 2 LED C 12 | 12 W      | 15 W                        | 280 mA              | 3500 K                   | 2550 lm                         | 1950 lm                              | 130 lm/W                       | 7.6 kg     |
| 212127/C/4/...²/C... | RING 2 LED C 12 | 12 W      | 15 W                        | 280 mA              | 4000 K                   | 2700 lm                         | 2050 lm                              | 137 lm/W                       | 7.6 kg     |
| 212127/C/6/...²/C... | RING 2 LED C 12 | 12 W      | 15 W                        | 280 mA              | 5000 K                   | 2700 lm                         | 2050 lm                              | 137 lm/W                       | 7.6 kg     |
| 212130/C/1/...²/C... | RING 2 LED C 24 | 24 W      | 28 W                        | 500 mA              | 2700 K                   | 4050 lm                         | 3050 lm                              | 109 lm/W                       | 7.6 kg     |
| 212130/C/3/...²/C... | RING 2 LED C 24 | 24 W      | 28 W                        | 500 mA              | 3500 K                   | 4300 lm                         | 3250 lm                              | 116 lm/W                       | 7.6 kg     |
| 212130/C/4/...²/C... | RING 2 LED C 24 | 24 W      | 28 W                        | 500 mA              | 4000 K                   | 4550 lm                         | 3450 lm                              | 123 lm/W                       | 7.6 kg     |
| 212130/C/6/...²/C... | RING 2 LED C 24 | 24 W      | 28 W                        | 500 mA              | 5000 K                   | 4550 lm                         | 3450 lm                              | 123 lm/W                       | 7.6 kg     |
| 212132/C/1/...²/C... | RING 2 LED C 36 | 36 W      | 40 W                        | 750 mA              | 2700 K                   | 5750 lm                         | 4350 lm                              | 109 lm/W                       | 7.6 kg     |
| 212132/C/3/...²/C... | RING 2 LED C 36 | 36 W      | 40 W                        | 750 mA              | 3500 K                   | 6100 lm                         | 4600 lm                              | 115 lm/W                       | 7.6 kg     |
| 212132/C/4/...²/C... | RING 2 LED C 36 | 36 W      | 40 W                        | 750 mA              | 4000 K                   | 6500 lm                         | 4900 lm                              | 123 lm/W                       | 7.6 kg     |
| 212132/C/6/...²/C... | RING 2 LED C 36 | 36 W      | 40 W                        | 750 mA              | 5000 K                   | 6500 lm                         | 4900 lm                              | 123 lm/W                       | 7.6 kg     |
| 212133/C/1/...²/C... | RING 2 LED C 48 | 48 W      | 55 W                        | 1000 mA             | 2700 K                   | 7300 lm                         | 5550 lm                              | 101 lm/W                       | 7.6 kg     |
| 212133/C/3/...²/C... | RING 2 LED C 48 | 48 W      | 55 W                        | 1000 mA             | 3500 K                   | 7750 lm                         | 5850 lm                              | 106 lm/W                       | 7.6 kg     |
| 212133/C/4/...²/C... | RING 2 LED C 48 | 48 W      | 55 W                        | 1000 mA             | 4000 K                   | 8200 lm                         | 6200 lm                              | 113 lm/W                       | 7.6 kg     |
| 212133/C/6/...²/C... | RING 2 LED C 48 | 48 W      | 55 W                        | 1000 mA             | 5000 K                   | 8200 lm                         | 6200 lm                              | 113 lm/W                       | 7.6 kg     |

1) tolerance +/- 5% due to LEDs accuracy

2) exemplary product code 212130/C/6/T4/C35 is RING 2 LED C 24W 5000K luminaire, where /C/ is the 'C' type mounting head, /T4/ is the T4 optical system, /C35 is the anodizing color of the C35 luminaire black

## DIRECTIVES AND STANDARDS

**DIRECTIVES:** 2014/35/UE (Official Journal of the UE L 96/357 29.03.2014), 2014/30/UE (Official Journal of the UE L 96/79 29.03.2014), 2011/65/UE RoHS (Official Journal of the UE L 174/88 01.07.2011), 2009/125/EC(Official Journal of the UE L 285/10 31.10.2009)

**STANDARDS:** PN-EN IEC 60598-1: 2021-7, PN-EN 60598-2-3: 2006, PN-EN 60529: 2003, PN-EN 62262: 2003, PN-EN 62471:2010, PN-EN 55015: 2019, PN-EN 61547: 2009, PN-EN 61000-3-2: 2019, PN-EN 61000-3-3: 2014, PN-EN 62722-2-1 (tq=25°C)

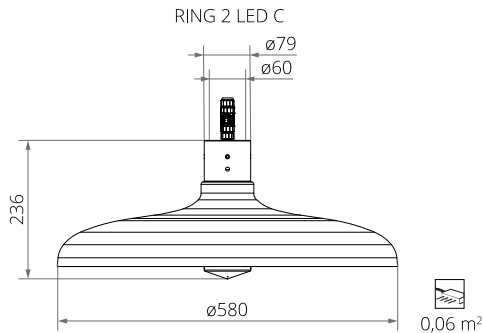
Lighting parameters presented based on laboratory tests according to IESNA LM-79-19

## REMOVING ELECTROSTATIC CHARGE FROM LED LUMINAIRE BODY

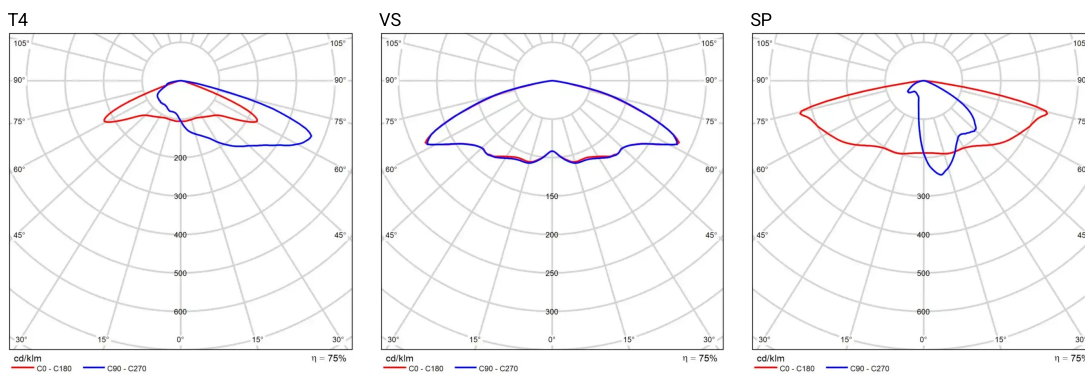
In order to efficiently discharge the electrostatic charge from the housing of LED fitting installed on the pole from dielectric material (non-conductive) one of the following solutions is required:

- functional grounding
- LED luminaire with an additional protection device

## TECHNICAL DRAWING



## PHOTOMETRIC CURVES



## POWER SYSTEM FUNCTIONS

Luminaire in standard has following functions of intelligent power supply:

- Connection to outside control system by DALI interface (operation of analog signal 1-10V as an option),
- Possibility of programming multistage dimming of luminaire, up to 5 intervals in the range of from 10 to 100% of nominal power,
- LED module equipped with thermal protection implemented via an NTC thermistor,
- Regulation of power / luminous flux – the option of setting another value than the catalogue in the range of 30-100% of nominal one,

## ACCEPTABLE QUANTITY OF LUMINAIRES ON ONE CIRCUIT

Acceptable quantity of luminaires RING 2 LED D4i C on one circuit, protected by:

Overcurrent switches MCB type B or C

| Luminaire    | Typ | 2A | 4A | 6A | 10A | 16A | 20A | 25A |
|--------------|-----|----|----|----|-----|-----|-----|-----|
| RING 2 LED C | B   | 4  | 7  | 12 | 18  | 30  | 37  | 46  |
|              | C   | 4  | 12 | 18 | 31  | 51  | 62  | 78  |

Fuse – type gG and GL

| Luminaire                     | 2A | 4A | 6A | 10A | 16A | 20A | 25A |
|-------------------------------|----|----|----|-----|-----|-----|-----|
| RING 2 LED C 12 W, 24 W, 36 W | 1  | 10 | 20 | 26  | 52  | 71  | 101 |
| RING 2 LED C 48 W             | 0  | 4  | 8  | 11  | 22  | 31  | 44  |

## CHROMATICITY

| Chromaticity | x      | y      |
|--------------|--------|--------|
| 2700K        | 0,4582 | 0,4099 |
| 3500K        | 0,4080 | 0,3916 |
| 4000K        | 0,3825 | 0,3798 |
| 5000K        | 0,3451 | 0,3554 |

## PHOTOMETRIC CODE

|       |         |
|-------|---------|
| 2700K | 727/559 |
| 3500K | 735/559 |
| 4000K | 740/559 |
| 5000K | 750/559 |