



TECHNICAL DATA

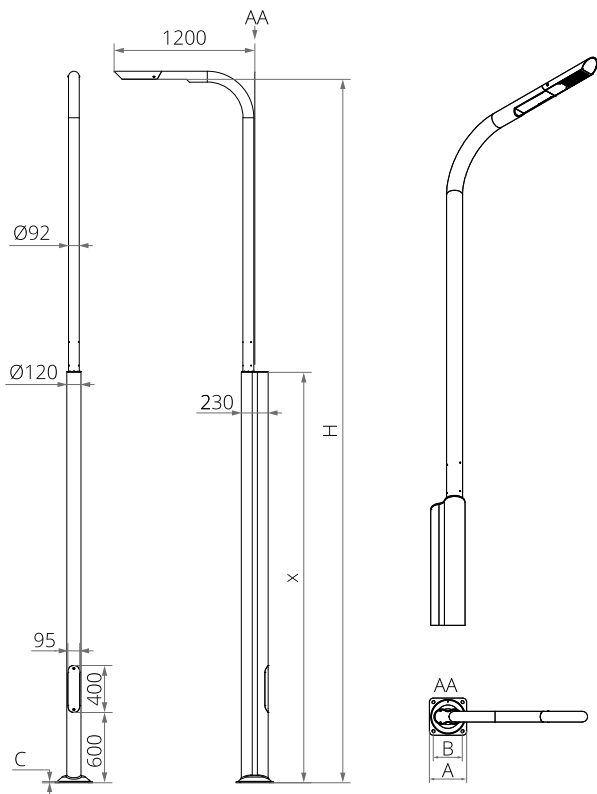
Application	urban roads, residential roads (internal), surrounding office buildings, parks, pedestrians, parkings
Colour	inox / black
Ingress protection	IP 66 for the optical part and the driver
Optical system	PMMA optics
Material	anodised aluminium alloy
Unit volume	0,55 m ³ (SNAKE I LED 4,0 m) 0,60 m ³ (SNAKE I LED 4,5 m) 0,67 m ³ (SNAKE I LED 5,0 m) 0,73 m ³ (SNAKE I LED 5,5 m) 0,79 m ³ (SNAKE I LED 6,0 m) 0,81 m ³ (SNAKE I LED 6,5 m) 0,90 m ³ (SNAKE I LED 7,0 m) 0,96 m ³ (SNAKE I LED 7,5 m) 1,02 m ³ (SNAKE I LED 8,0 m)
Expected useful lifetime	L90B10 - 100 000 h
CRI	>70
Inrush current	21 A / 225 μs
Input voltage frequency	50/60Hz
Power factor	≥0.95
Number of LED	12
Control system	LED lighting set has the possibility to connect to an external control system via DALI interface (optionally via analog signal 1-10V).



TABLE OF VARIANTS - HEIGHTS

Symbol	Set Height [H]*	Height [x]	Dimension of the base plate ([A]/[B]/[C])	Concrete footing / reinforcement basket type	Concrete footing / reinforcement basket code	Fasteners	Net weight
SNAKE I LED	4,0m - 40	3,0m	320 / 250 / 10	B-60 / Z-60	311160 / 311206	4008	39kg
SNAKE I LED	4,5m - 45	3,5m	320 / 250 / 10	B-60 / Z-60	311160 / 311206	4008	45kg
SNAKE I LED	5,0m - 50	3,5m	320 / 250 / 10	B-60 / Z-60	311160 / 311206	4008	47kg
SNAKE I LED	5,5m - 55	3,5m	320 / 250 / 10	B-60 / Z-60	311160 / 311206	4008	52kg
SNAKE I LED	6,0m - 60	3,5m	320 / 250 / 10	B-60 / Z-60	311160 / 311206	4008	56kg
SNAKE I LED	6,5m - 65	4,5m	400 / 300 / 10	B-70, B-71 / Z-70, Z71	311170, 311171 / 311207, 311271	4012	59kg
SNAKE I LED	7,0m - 70	4,5m	400 / 300 / 10	B-70, B-71 / Z-70, Z71	311170, 311171 / 311207, 311271	4012	64kg
SNAKE I LED	7,5m - 75	5,5m	400 / 300 / 12	B-70, B-71 / Z-70, Z71	311170, 311171 / 311207, 311271	4012	68kg
SNAKE I LED	8,0m - 80	5,5m	400 / 300 / 12	B-70, B-71 / Z-70, Z71	311170, 311171 / 311207, 311271	4012	70kg

HOW TO GENERATE VARIANT CODES



Order code

2160100/32/3/T3

Arm height - H

- 40 - 4 m
- 45 - 4,5 m
- 50 - 5 m
- 55 - 5,5m
- 60 - 6 m
- 65 - 6,5m
- 70 - 7 m
- 75 - 7,5m
- 80 - 8 m

Arm power variant

e.g. 32/3/T3 is
SNAKE I LED 36, 3500K,
T3 optics

TABLE OF VARIANTS - LIGHTING

Code	Symbol	LED power	Luminaire Power consumption	LED forward current	Colour temperature (CCT)	LEDs luminous flux ¹	Luminaire luminous flux ¹	Luminous efficacy
27/1/... ²	SNAKE I LED 12	12 W	14 W	350 mA	2 700 K	2 250 lm	2 050 lm	146 lm/W
27/3/... ²	SNAKE I LED 12	12 W	14 W	350 mA	3 500 K	2 400 lm	2 200 lm	157 lm/W
27/4/... ²	SNAKE I LED 12	12 W	14 W	350 mA	4 000 K	2 550 lm	2 350 lm	168 lm/W
27/6/... ²	SNAKE I LED 12	12 W	14 W	350 mA	5 000 K	2 550 lm	2 350 lm	168 lm/W
30/1/... ²	SNAKE I LED 24	24 W	28 W	700 mA	2 700 K	4 150 lm	3 800 lm	136 lm/W
30/3/... ²	SNAKE I LED 24	24 W	28 W	700 mA	3 500 K	4 400 lm	4 050 lm	145 lm/W
30/4/... ²	SNAKE I LED 24	24 W	28 W	700 mA	4 000 K	4 650 lm	4 250 lm	152 lm/W
30/6/... ²	SNAKE I LED 24	24 W	28 W	700 mA	5 000 K	4 650 lm	4 250 lm	152 lm/W
32/1/... ²	SNAKE I LED 36	36 W	40 W	1 000 mA	2 700 K	5 550 lm	5 100 lm	128 lm/W
32/3/... ²	SNAKE I LED 36	36 W	40 W	1 000 mA	3 500 K	5 900 lm	5 400 lm	135 lm/W

Code	Symbol	LED power	Luminaire Power consumption	LED forward current	Colour temperature (CCT)	LEDs luminous flux ¹	Luminaire luminous flux ¹	Luminous efficacy
32/4/... ²	SNAKE I LED 36	36 W	40 W	1 000 mA	4 000 K	6 250 lm	5 700 lm	143 lm/W
32/6/... ²	SNAKE I LED 36	36 W	40 W	1 000 mA	5 000 K	6 250 lm	5 700 lm	143 lm/W

1) tolerance +/- 5% due to LEDs accuracy

2) symbol of chosen optical system eg. 30/6/T2 is a bracket SNAKE I LED 24 with T2 optical system, 5000K

Finish: option of elastomer protection in the colour of LED lighting sets up to the height of 350 mm (as standard for CI63, CI65, CI75, CI78 interference colors)

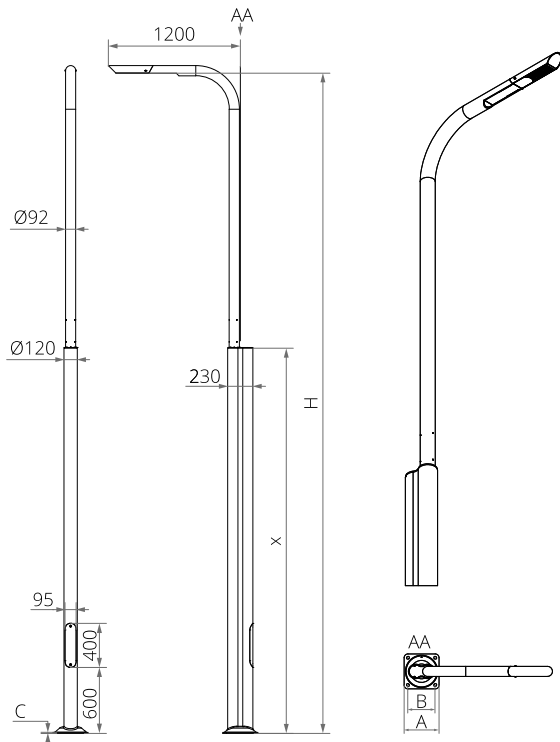
DIRECTIVES AND STANDARDS

DIRECTIVES: 2014/35/UE (Official Journal of the UE L 96/357 29.03.2014), 2014/30/UE (Official Journal of the UE L 96/79 29.03.2014), 2011/65/UE RoHS (Official Journal of the UE L 174/88 01.07.2011), 2009/125/EC (Official Journal of the UE L 285/10 31.10.2009)

STANDARDS: PN-EN IEC 60598-1: 2021-7, PN-EN 60598-2-3: 2006, PN-EN 60529: 2003, PN-EN 62262: 2003, PN-EN 62471:2010, PN-EN 55015: 2019, PN-EN 61547: 2009, PN-EN 61000-3-2: 2019, PN-EN 61000-3-3: 2014

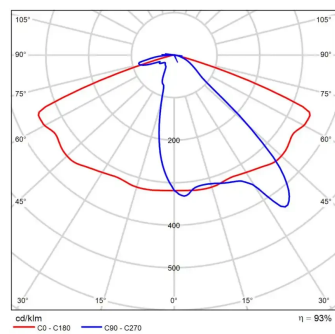
Lighting parameters presented based on laboratory tests according to IESNA LM-79-19

TECHNICAL DRAWING

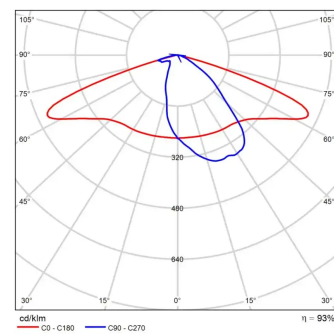


PHOTOMETRIC CURVES

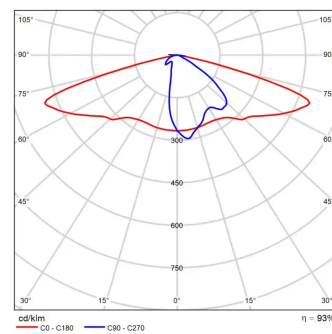
ME



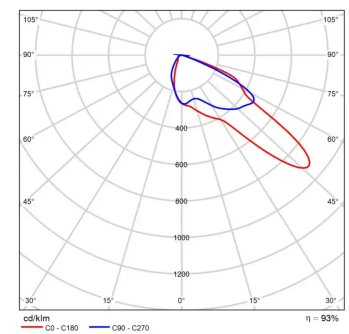
DW



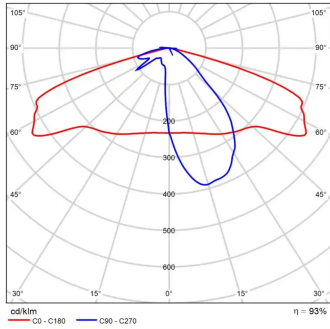
SP



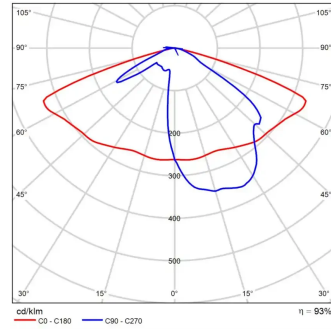
PP



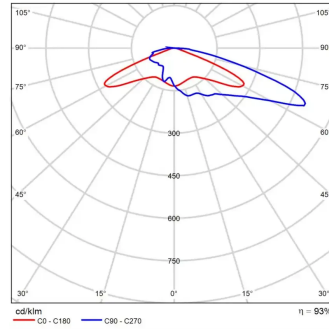
T2



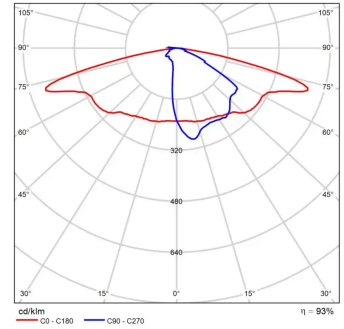
T3



T4



3L



POWER SYSTEM FUNCTIONS

Luminaire in standard has following functions of intelligent power supply:

- Connection to outside control system by DALI interface (operation of analog signal 1-10V as an option),
- Possibility of programming multistage dimming of luminaire, up to 5 intervals in the range of from 10 to 100% of nominal power,
- LED module equipped with thermal protection implemented via an NTC thermistor,
- Regulation of power / luminous flux - the option of setting another value than the catalogue in the range of 30-100% of nominal one,

ACCEPTABLE QUANTITY OF LUMINAIRES ON ONE CIRCUIT

Overcurrent switches MCB type B or C

Lighting sets	Type	2A	4A	6A	10A	16A	20A	25A
SNAKE I LED	B	3	6	10	16	26	32	40
	C	3	10	16	27	44	54	67

Fuse - type gG and GL

Lighting sets	2A	4A	6A	10A	16A	20A	25A
SNAKE I LED	1	10	19	25	50	68	97

ACCEPTABLE HEIGHT

SNAKE I LED	Acceptable height of the LED lighting set			
Field category	I zone Vref. = 22 m/s	I & III zone, up to 450m a.s.l. Vref. = 24 m/s	II zone Vref. = 26 m/s	III zone up to 755m a.s.l. Vref. = 28 m/s
I	8	8	8	8
II	8	8	8	8
III	8	8	8	8
IV	8	8	8	8