

## TECHNICAL DATA

<b>Application</b>	motorways and expressway, urban roads, residential roads (internal), pedestrians, parkings
<b>Assembly</b>	pole top mounted or on extension arms with $\varnothing 42 - \varnothing 60 \times 100$ mm ending
<b>Colour</b>	inox
<b>Ingress protection</b>	IP 66
<b>Optical system</b>	PMMA optics, interchangeable LED module
<b>Material</b>	anodised aluminium alloy, diffuser – tempered glass
<b>Unit volume</b>	-
<b>Operating temperature range</b>	from -40°C to +40°C
<b>Expected useful lifetime</b>	L90B10 - 100 000 h
<b>CRI</b>	>80
<b>Inrush current</b>	43 A / 260 $\mu$ s (LOCO LED 48 -72) 77 A / 150 $\mu$ s (LOCO LED 96)
<b>Input voltage frequency</b>	50/60Hz
<b>Power factor</b>	$\geq 0.95$
<b>Number of LED</b>	64
<b>Control system</b>	Luminaire has the possibility to connect to an external control system via analog signal 1- 10V.



Code	Symbol	LED power	Luminaire power consumption	LED forward current	Colour temperature (CCT)	LEDs luminous flux <sup>1</sup>	Luminaire luminous flux <sup>1</sup>	Luminous efficacy <sup>1</sup>	Net weight
2226033/3/... <sup>2</sup>	LOCO LED 48	48 W	55 W	500 mA	3500 K	8000 lm	7200 lm	131 lm/W	5.3 kg

1) tolerance +/- 5% due to LEDs accuracy

2) symbol of chosen optical system eg. 2226033/6/T2 is LOCO LED 48 5000K with T2 optical system

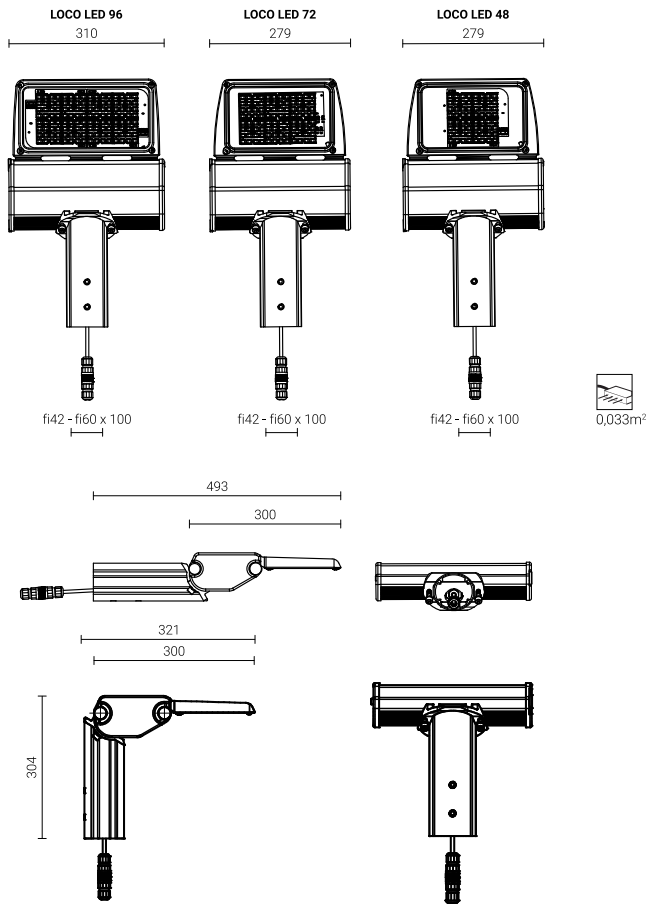
## DIRECTIVES AND STANDARDS

**DIRECTIVES:** 2014/35/UE (Official Journal of the UE L 96/357 29.03.2014), 2014/30/UE (Official Journal of the UE L 96/79 29.03.2014), 2011/65/UE RoHS (Official Journal of the UE L 174/88 01.07.2011), 2009/125/EC(Official Journal of the UE L 285/10 31.10.2009)

**STANDARDS:** PN-EN IEC 60598-1: 2021-7, PN-EN 60598-2-3: 2006, PN-EN 60529: 2003, PN-EN 62262: 2003, PN-EN 62471:2010, PN-EN 55015: 2019, PN-EN 61547: 2009, PN-EN 61000-3-2: 2019, PN-EN 61000-3-3: 2014

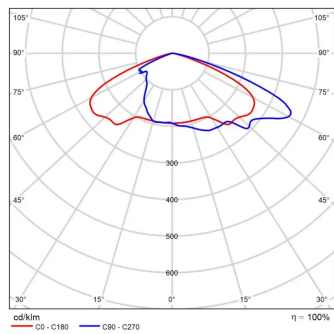
Lighting parameters presented based on laboratory tests according to IESNA LM-79-19

## TECHNICAL DRAWING

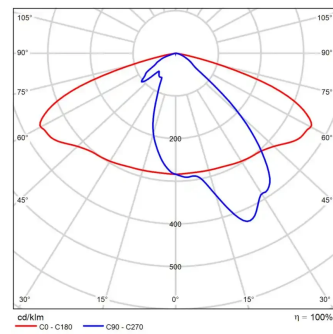


## PHOTOMETRIC CURVES

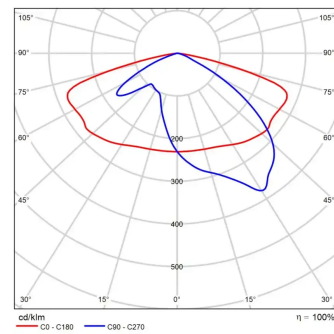
T4



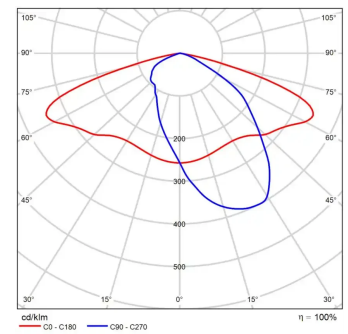
T3



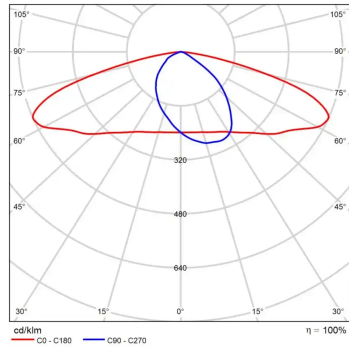
ME



T2



SP



## POWER SYSTEM FUNCTIONS

### Luminaire in standard has following functions of intelligent power supply:

- Connection to outside control system by DALI interface (operation of analog signal 1-10V as an option),
- Possibility of programming multistage dimming of luminaire, up to 5 intervals in the range of from 10 to 100% of nominal power,
- LED module equipped with thermal protection implemented via an NTC thermistor,
- Regulation of power / luminous flux – the option of setting another value than the catalogue in the range of 30-100% of nominal one,

## ACCEPTABLE QUANTITY OF LUMINAIRES ON ONE CIRCUIT

Overcurrent switches MCB type B or C

Luminaire	Typ	2A	4A	6A	10A	16A	20A	25A
LOCO LED 48, 72W	B	1	2	4	6	11	13	17
	C	1	4	6	11	18	22	28
LOCO LED 96W	B	1	1	3	5	8	12	12
	C	1	3	5	8	13	16	20

Fuse – type gG and GL

Luminaire	2A	4A	6A	10A	16A	20A	25A
LOCO LED 48, 72W	1	2	11	19	30	38	47
LOCO LED 96W	1	1	6	9	12	15	19