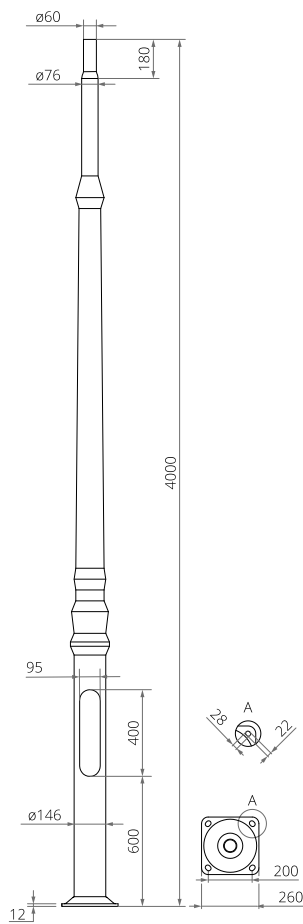


Aluminium column SAL DP-407G

146 mm at the base plate



TECHNICAL DATA

Anodising	10 colours
Luminaire mounting	directly on the column, luminaires with mounting $\varnothing 60$ mm with weight and surface parameters not exceeding the data from the strength table included in the technical data sheet
Extension arm type	according to resistance calculations
Packing	sleeve material
Performance under vehicle impact (passive safety)	50-NE-B-S-SE-MD-0, 70-NE-B-S-SE-MD-0, 100-NE-B-S-SE-MD-0
Diameter at the base plate	146 mm
Finish	brushed anodised aluminium - anode coating thickness is $20\mu\text{m}$ as standard (coating thickness of $25\mu\text{m}$ is also possible), option of elastomer protection up to a height of 350 mm, in a colour similar to the anode colour (other heights or colours of elastomer available according to the RAL palette at the customer's request) - the thickness of the protective coating ranges from 0.8 mm to 1.2 mm
Ending	-
Diameter of the column ending	$\varnothing 60 \times 180$ mm adapted to the installation of ROSA extension arms (with the effect of a facing head) and ROSA luminaires (according to the assembly parameter included in the luminaire technical data sheet)

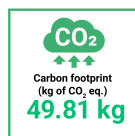
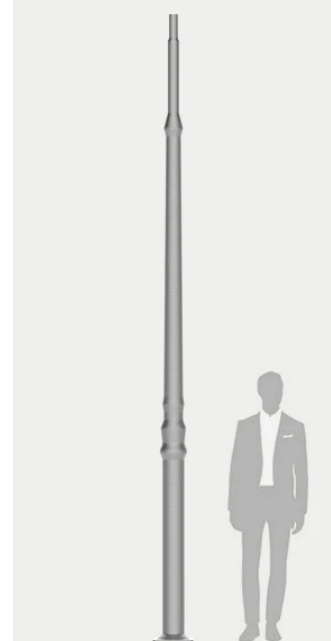


TABLE OF VARIANTS

Code	Symbol	Height of the column [H]	Wall thickness	Unit volume	Concrete footing / reinforcement basket type	Concrete footing / reinforcement basket code	Fasteners	Net weight
42970/C...	SAL DP-407G	4 m	4.2 mm	0.139 m ³	B-51 / Z-51	311151 / 311251	4008	20.8 kg

STRENGTH TABLE

SAL DP-407G		Acceptable windage of single luminaire [m ²] for Cx=1			
code 42970		Vref. = 22 m/s	Vref. = 24 m/s	Vref. = 26 m/s	Vref. = 28 m/s
Extension arm type	Permissible weight of a single luminaire	I zone, II Field category up to	I & III zone, II Field category up to 450m by s.l	II zone, II Field category up to	III zone, II Field category up to 755m by s.l
-	30	1.59	1.33	1.12	0.98
WA-14/1	10	1,32	1,10	0,90	0,78
WA-14/2	8	0,70	0,57	0,45	0,38
WA-17/1	10	0,78	0,63	0,50	0,42
WA-20/1	10	0,84	0,68	0,55	0,47
WA-20/2	8	0,44	0,34	0,25	0,19
WA-31 f142	10	0,78	0,63	0,51	0,42
WR-7/1/0,5	15	1,32	1,11	0,92	0,80
WR-7/2/0,5	15	0,68	0,57	0,46	0,40
WR-23/1/0,76 f142	15	0,98	0,81	0,66	0,57
WR-73/1/0,5	15	1,24	1,03	0,86	0,75



Aluminium column SAL DP-407G

146 mm at the base plate



ANODISING COLOURS

