



TECHNICAL DATA

Application	surrounding office buildings
Colour	inox / grey
Ingress protection	IP 66 for the optical part and the driver
Material	anodised aluminium alloy
Unit volume	0,01 m ³
Expected useful lifetime	L90B10 - 100 000 h
CRI	>70
Inrush current	18 A / 280 μs (Kinkiet CUT LED 24 - 36) 46 A / 250 μs (Kinkiet CUT LED 48 - 72)
Input voltage frequency	50/60Hz
Power factor	≥0.95
Number of LED	12 - (24 W, 36 W), 24 - (48 W, 72 W)
Control system	LED lighting set has the possibility to connect to an external control system via DALI interface (optionally via analog signal 1-10V).



TABLE OF VARIANTS

Code	Symbol	LED power	Luminaire power consumption	LED forward current	Colour temperature (CCT)	LEDs luminous flux ¹	Luminaire luminous flux ¹	Luminous efficacy ¹	Net weight
210627/1/... ²	CUT LED SCONCE 24	12 W	14 W	350 mA	2700 K	2250 lm	2050 lm	146 lm/W	6.5 kg
210627/3/... ²	CUT LED SCONCE 24	12 W	14 W	350 mA	3500 K	2400 lm	2200 lm	157 lm/W	6.5 kg
210627/4/... ²	CUT LED SCONCE 24	12 W	14 W	350 mA	4000 K	2550 lm	2350 lm	168 lm/W	6.5 kg
210627/6/... ²	CUT LED SCONCE 24	12 W	14 W	350 mA	5000 K	2550 lm	2350 lm	168 lm/W	6.5 kg
210630/1/... ²	CUT LED SCONCE 24	24 W	28 W	700 mA	2700 K	4050 lm	3550 lm	127 lm/W	6.5 kg
210630/3/... ²	CUT LED SCONCE 24	24 W	28 W	700 mA	3500 K	4350 lm	3800 lm	136 lm/W	6.5 kg
210630/4/... ²	CUT LED SCONCE 24	24 W	28 W	700 mA	4000 K	4550 lm	4000 lm	143 lm/W	6.5 kg
210630/6/... ²	CUT LED SCONCE 24	24 W	28 W	700 mA	5000 K	4550 lm	4000 lm	143 lm/W	6.5 kg
210632/1/... ²	CUT LED SCONCE 36	36 W	40 W	1000 mA	2700 K	5450 lm	4800 lm	120 lm/W	6.5 kg
210632/3/... ²	CUT LED SCONCE 36	36 W	40 W	1000 mA	3500 K	5800 lm	5100 lm	128 lm/W	6.5 kg
210632/4/... ²	CUT LED SCONCE 36	36 W	40 W	1000 mA	4000 K	6150 lm	5400 lm	135 lm/W	6.5 kg
210632/6/... ²	CUT LED SCONCE 36	36 W	40 W	1000 mA	5000 K	6150 lm	5400 lm	135 lm/W	6.5 kg
210633/1/... ²	CUT LED SCONCE 36	48 W	55 W	700 mA	2700 K	8150 lm	7150 lm	130 lm/W	7 kg
210633/3/... ²	CUT LED SCONCE 36	48 W	55 W	700 mA	3500 K	8650 lm	7600 lm	138 lm/W	7 kg
210633/4/... ²	CUT LED SCONCE 36	48 W	55 W	700 mA	4000 K	9150 lm	8050 lm	146 lm/W	7 kg
210633/6/... ²	CUT LED SCONCE 36	48 W	55 W	700 mA	5000 K	9150 lm	8050 lm	146 lm/W	7 kg
210635/1/... ²	CUT LED SCONCE 36	72 W	79 W	1000 mA	2700 K	10900 lm	9600 lm	122 lm/W	7 kg
210635/3/... ²	CUT LED SCONCE 36	72 W	79 W	1000 mA	3500 K	11600 lm	10200 lm	129 lm/W	7 kg
210635/4/... ²	CUT LED SCONCE 36	72 W	79 W	1000 mA	4000 K	12300 lm	10800 lm	137 lm/W	7 kg
210635/6/... ²	CUT LED SCONCE 36	72 W	79 W	1000 mA	5000 K	12300 lm	10800 lm	137 lm/W	7 kg

1) tolerance +/- 5% due to LEDs accuracy

DIRECTIVES AND STANDARDS

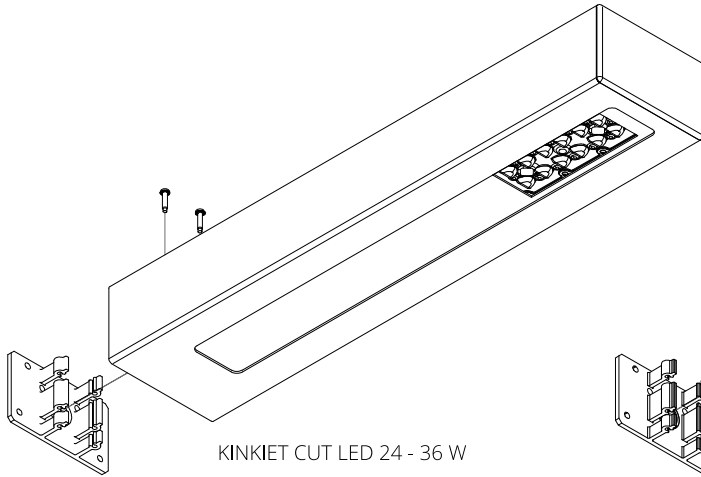
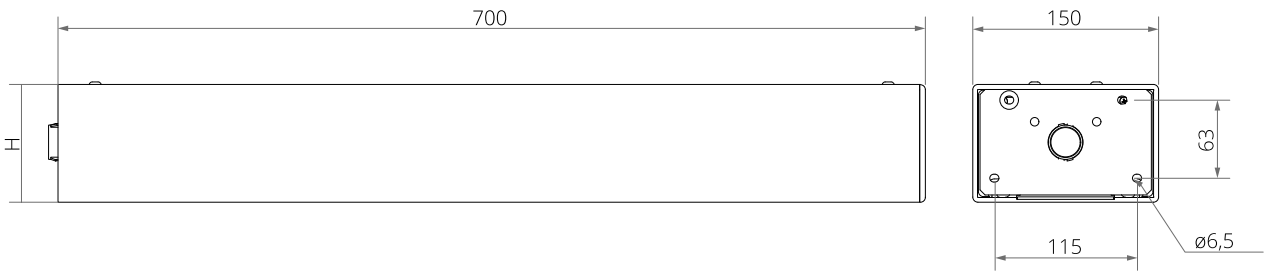
DIRECTIVES: 2014/35/UE (Official Journal of the UE L 96/357 29.03.2014), 2014/30/UE (Official Journal of the UE L 96/79 29.03.2014), 2011/65/UE RoHS (Official Journal of the UE L 174/88 01.07.2011), 2009/125/EC(Official Journal of the UE L 285/10 31.10.2009)

STANDARDS: PN-EN IEC 60598-1: 2021-7, PN-EN 60598-2-3: 2006, PN-EN 60529: 2003, PN-EN 62262: 2003, PN-EN 62471:2010, PN-EN 55015: 2019, PN-EN 61547: 2009, PN-EN 61000-3-2: 2019 , PN-EN 61000-3-3: 2014

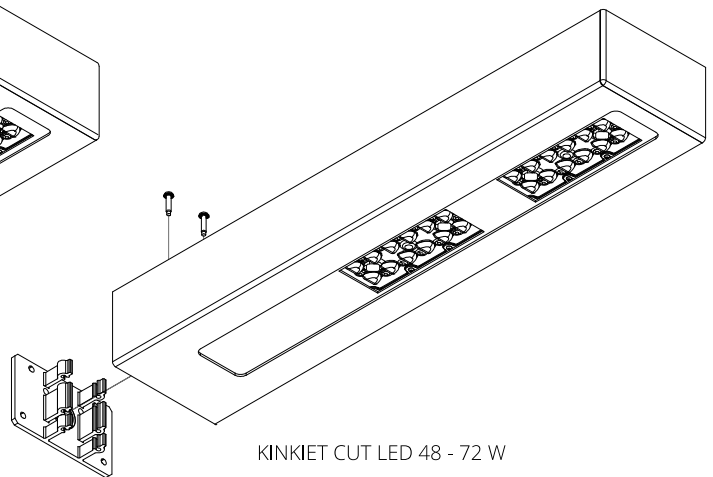
Lighting parameters presented based on laboratory tests according to IESNA LM-79-19

CUT LED SCONCE

TECHNICAL DRAWING



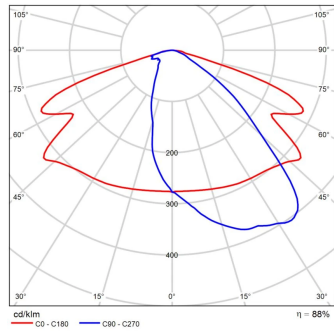
KINKIET CUT LED 24 - 36 W



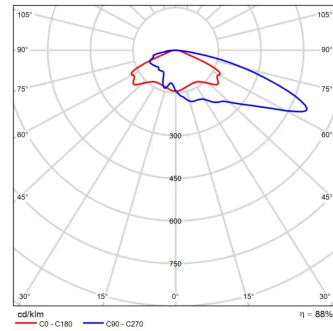
KINKIET CUT LED 48 - 72 W

PHOTOMETRIC CURVES

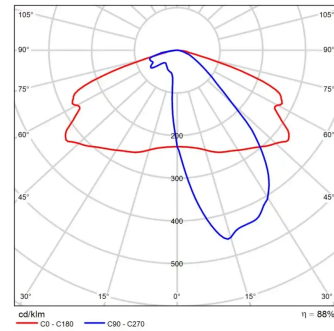
DW



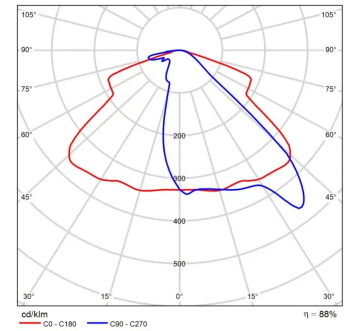
T4



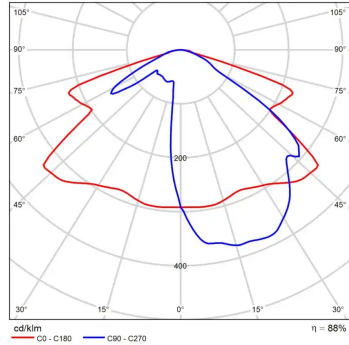
T2



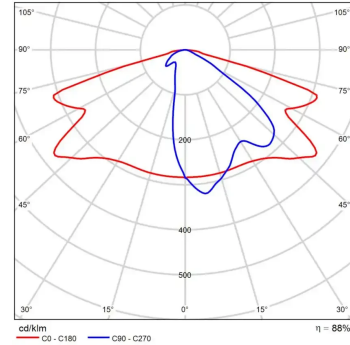
ME



T3



SP



POWER SYSTEM FUNCTIONS

Luminaire in standard has following functions of intelligent power supply:

- Connection to outside control system by DALI interface (operation of analog signal 1-10V as an option),
- Possibility of programming multistage dimming of luminaire, up to 5 intervals in the range of from 10 to 100% of nominal power,
- LED module equipped with thermal protection implemented via an NTC thermistor,
- Regulation of power / luminous flux – the option of setting another value than the catalogue in the range of 30-100% of nominal one,