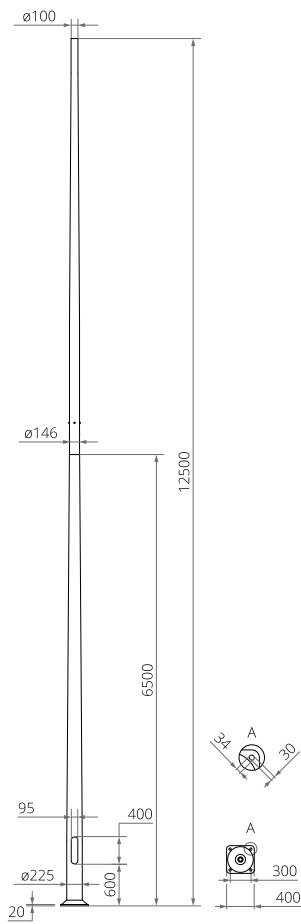


Aluminium column MAL-12,5

225 mm at the base plate



TECHNICAL DATA

Anodising	10 colours
Luminaire mounting	directly on the mast, luminaires with mounting $\varnothing 100$ mm with weight and surface parameters not exceeding the data from the strength table included in the technical data sheet
Extension arm type	according to resistance calculations
Packing	sleeve material
Diameter at the base plate	225 mm
Finish	brushed anodised aluminium - anode coating thickness is $20\mu\text{m}$ as standard (coating thickness of $25\mu\text{m}$ is also possible), option of elastomer protection up to a height of 350 mm, in a colour similar to the anode colour (other heights or colours of elastomer available according to the RAL palette at the customer's request) - the thickness of the protective coating ranges from 0.8 mm to 1.2 mm
Diameter of the mast ending	$\varnothing 100$ mm

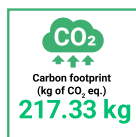


TABLE OF VARIANTS

Code	Symbol	Height of the column [H]	Wall thickness	Unit volume	Concrete footing / reinforcement basket type	Concrete footing / reinforcement basket code	Fasteners	Net weight
42501/C...	MAL-12,5	12.5 m	5 mm	0.64 m ³	B-80 / Z-80	311180 / 311208	4012	92.7 kg

STRENGTH TABLE

MAL-12,5		Acceptable windage of single luminaire [m ²] for Cx=1				
code 42501		Vref. = 22 m/s	Vref. = 24 m/s	Vref. = 26 m/s	Vref. = 28 m/s	
code of extension arm	type of extension arm	permissible weight of a single luminaire [kg]	zone I, terrain category II	zone I & III, terrain category II up to 450m a.s.l	zone II, terrain category II	zone III, terrain category II up to 755m a.s.l.
-	-	40	0,89	0,73	0,60	0,51
-	-	90	0,78	0,63	0,51	0,44
475030	WRK-3	15	0,22	0,16	0,11	0,08
475040	WRK-4	15	0,15	0,11	0,07	x
475050	WRK-5	15	0,11	0,08	x	x
475060	WRK-6	15	0,08	0,05	x	x
474010	WM-1	15	0,93	0,75	0,61	0,52
474020	WM-2	15	0,43	0,34	0,28	0,23
474210	WM-21	15	0,39	0,30	0,24	0,19
474211	WM-21 REG	15	0,35	0,27	0,20	0,16
474030	WM-3	15	0,32	0,25	0,20	0,17
474311	WM-31 REG	15	0,15	0,10	x	x
474040	WM-4	15	0,23	0,19	0,15	0,12
474420	WM-42	15	0,17	0,13	0,10	0,08

Aluminium column MAL-12,5

225 mm at the base plate



MAL-12,5			Acceptable windage of single luminaire [m²] for Cx=1			
code 42501			Vref. = 22 m/s	Vref. = 24 m/s	Vref. = 26 m/s	Vref. = 28 m/s
code of extension arm	type of extension arm	permissible weight of a single luminaire [kg]	zone I, terrain category II	zone I & III, terrain category II up to 450m a.s.l	zone II, terrain category II	zone III, terrain category II up to 755m a.s.l.
474050	WM-5	15	0,17	0,13	0,10	0,09
474060	WM-6	15	0,13	0,10	0,08	x

ANODISING COLOURS

