



TECHNICAL DATA

Assembly	pole top mounted or on extension arms with \varnothing 60 x 50 mm ending
Application	parks, pedestrians, bicycle routes
Colour	black, possibility to paint with other colours
Ingress protection	IP 65
Material	-
Input voltage frequency	50 Hz
Supply voltage	230V AC
Electrical gear cover	mounted on gear frame, magnetic ballast with thermal protection, metal halide lamps MH 70W (EL) optionally available with electronic ballast
Mounting method	only upwards



TABLE OF VARIANTS

Code	Symbol	Diffuser	Power	Luminaire power consumption	Unit volume	Effective projected area	Colour	Light source type	Exemplary lamp types	Net weight
2134002	ELBA S-70W, frosted diffuser PMMA	frosted (PMMA)	70 W	92 W	0.06 m ³	0.115 m ²	• painted in black colour	sodium E-27	Philips: SON 70W-E, CDO-ET (-TT) 70W Osram: NAV-E 70W	6.3 kg
2134015	ELBA E/Z, frosted diffuser PMMA	frosted (PMMA)	23 W	23 W	0.06 m ³	0.115 m ²	• painted in black colour	LED E-27	Philips: 23W Osram: 23W	6.5 kg

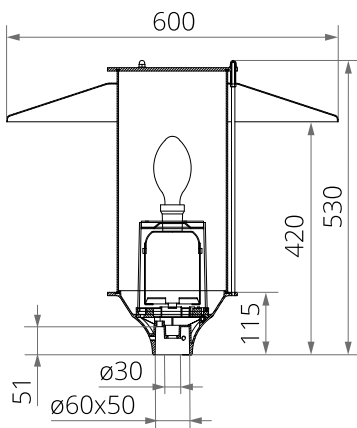
DIRECTIVES AND STANDARDS

DIRECTIVES: 2014/35/UE (Official Journal of the UE L 96/357 29.03.2014), 2014/30/UE (Official Journal of the UE L 96/79 29.03.2014), 2011/65/UE RoHS (Official Journal of the UE L 174/88 01.07.2011), 2009/125/EC(Official Journal of the UE L 285/10 31.10.2009)

STANDARDS: PN-EN IEC 60598-1: 2021-7, PN-EN 60598-2-3: 2006, PN-EN 60529: 2003, PN-EN 62262: 2003, PN-EN 62471:2010, PN-EN 55015: 2019, PN-EN 61547: 2009, PN-EN 61000-3-2: 2019 , PN-EN 61000-3-3: 2014

Lighting parameters presented based on laboratory tests according to IESNA LM-79-19

TECHNICAL DRAWING



ELBA S-70

