



## TECHNICAL DATA

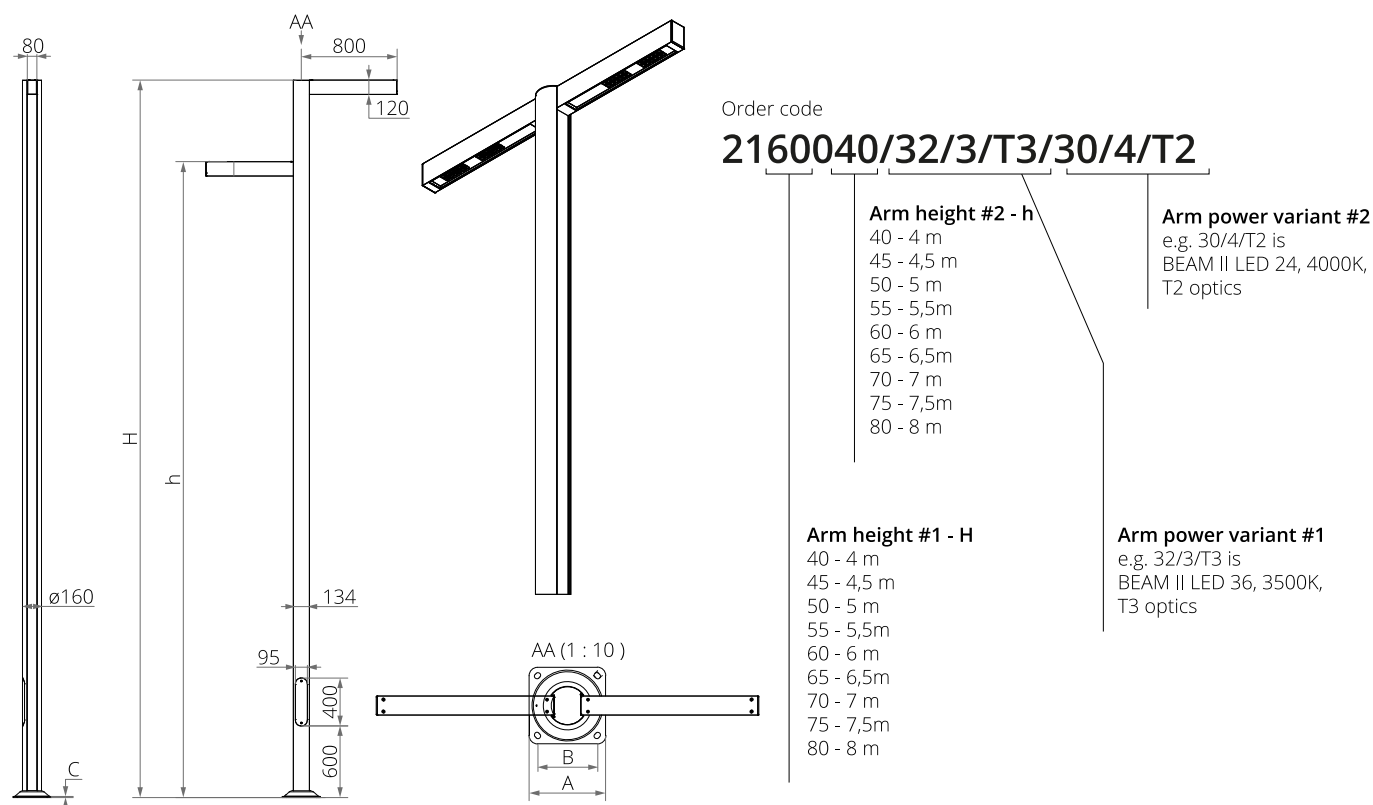
<b>Application</b>	urban roads, residential roads (internal), surrounding office buildings, parks, pedestrians, parkings
<b>Colour</b>	inox / grey
<b>Ingress protection</b>	IP 66 for the optical part and the driver
<b>Optical system</b>	PMMA optics, interchangeable LED module
<b>Material</b>	anodised aluminium alloy
<b>Unit volume</b>	0,50 m <sup>3</sup> (BEAM II LED 4,0 m) 0,60 m <sup>3</sup> (BEAM II LED 5,0 m) 0,80 m <sup>3</sup> (BEAM II LED 6,0 m) 1,10 m <sup>3</sup> (BEAM II LED 7,0 m) 1,30 m <sup>3</sup> (BEAM II LED 8,0 m)
<b>Expected useful lifetime</b>	L90B10 - 100 000 h
<b>CRI</b>	>70
<b>Inrush current</b>	42 A / 225 μs (BEAM II LED 24 - 36) 110 A / 200 μs (BEAM II LED 48 - 72)
<b>Input voltage frequency</b>	50/60Hz
<b>Power factor</b>	≥0.95
<b>Number of LED</b>	2x12 (24 W, 36 W); 2x24 (48 W, 60 W, 72 W)
<b>Control system</b>	LED lighting set has the possibility to connect to an external control system via DALI interface (optionally via analog signal 1-10V).



## TABLE OF VARIANTS - HEIGHTS

Symbol	Height [H]	Dimension of the base plate (A/B/C)	Concrete footing / reinforcement basket type	Concrete footing / reinforcement basket code	Fasteners	Net weight
BEAM II LED	4,0 m - 40	240 / 180 / 8	B-50 / Z-50	311150 / 311205	4006	33,5 kg
BEAM II LED	5,0 m - 50	320 / 250 / 10	B-60 / Z-60	311160 / 311206	4008	41,0 kg
BEAM II LED	6,0 m - 60	320 / 250 / 10	B-60 / Z-60	311160 / 311206	4008	46,5 kg
BEAM II LED	7,0 m - 70	400 / 300 / 10	B-70, B-71 / Z-70, Z-71	311170, 311171 / 311207, 311271	4012	54,5 kg
BEAM II LED	8,0 m - 80	400 / 300 / 12	B-70, B-71 / Z-70, Z-71	311170, 311171 / 311207, 311271	4012	60,0 kg

### HOW TO GENERATE VARIANT CODES



## TABLE OF VARIANTS - LIGHTING

Code	Symbol	LED power	Luminaire Power consumption	LED forward current	Colour temperature (CCT)	LEDs luminous flux <sup>1</sup>	Luminaire luminous flux <sup>1</sup>	Luminous efficacy
30/1/...2	BEAM II LED 24	24 W	28 W	700 mA	2700 K	4050 lm	3250 lm	116 lm/ W
30/3/...2	BEAM II LED 24	24 W	28 W	700 mA	3500 K	4350 lm	3500 lm	125 lm/ W
30/4/...2	BEAM II LED 24	24 W	28 W	700 mA	4000 K	4550 lm	3650 lm	130 lm/ W
30/6/...2	BEAM II LED 24	24 W	28 W	700 mA	5000 K	4550 lm	3650 lm	130 lm/ W
32/1/...2	BEAM II LED 36	36 W	40 W	1000 mA	2700 K	5450 lm	4400 lm	110 lm/ W
32/3/...2	BEAM II LED 36	36 W	40 W	1000 mA	3500 K	5800 lm	4700 lm	118 lm/ W
32/4/...2	BEAM II LED 36	36 W	40 W	1000 mA	4000 K	6150 lm	4950 lm	124 lm/ W
32/6/...2	BEAM II LED 36	36 W	40 W	1000 mA	5000 K	6150 lm	4950 lm	124 lm/ W
33/1/...2	BEAM II LED 48	48 W	55 W	700 mA	2700 K	8150 lm	6600 lm	120 lm/ W
33/3/...2	BEAM II LED 48	48 W	55 W	700 mA	3500 K	8650 lm	7000 lm	127 lm/ W
33/4/...2	BEAM II LED 48	48 W	55 W	700 mA	4000 K	9150 lm	7400 lm	135 lm/ W
33/6/...2	BEAM II LED 48	48 W	55 W	700 mA	5000 K	9150 lm	7400 lm	135 lm/ W
34/1/...2	BEAM II LED 60	60 W	67 W	830 mA	2700 K	9300 lm	7500 lm	112 lm/ W
34/3/...2	BEAM II LED 60	60 W	67 W	830 mA	3500 K	9850 lm	7950 lm	119 lm/ W
34/4/...2	BEAM II LED 60	60 W	67 W	830 mA	4000 K	10450 lm	8450 lm	126 lm/ W
34/6/...2	BEAM II LED 60	60 W	67 W	830 mA	5000 K	10450 lm	8450 lm	126 lm/ W
35/1/...2	BEAM II LED 72	72 W	79 W	1000 mA	2700 K	10900 lm	8800 lm	111 lm/ W

Code	Symbol	LED power	Luminaire Power consumption	LED forward current	Colour temperature (CCT)	LEDs luminous flux <sup>1</sup>	Luminaire luminous flux <sup>1</sup>	Luminous efficacy
35/3/...2	BEAM II LED 72	72 W	79 W	1000 mA	3500 K	11600 lm	9350 lm	118 lm/ W
35/4/...2	BEAM II LED 72	72 W	79 W	1000 mA	4000 K	12300 lm	9950 lm	126 lm/ W
35/6/...2	BEAM II LED 72	72 W	79 W	1000 mA	5000 K	12300 lm	9950 lm	126 lm/ W

1) tolerance +/- 5% due to LEDs accuracy

2) symbol of chosen optical system eg. 30/6/T2 is a bracket BEAM II LED 24 with T2 optical system, 5000 K

Finish: option of elastomer protection in the colour of LED lighting sets up to the height of 350 mm (as standard for CI63, CI65, CI75, CI78 interference colors)

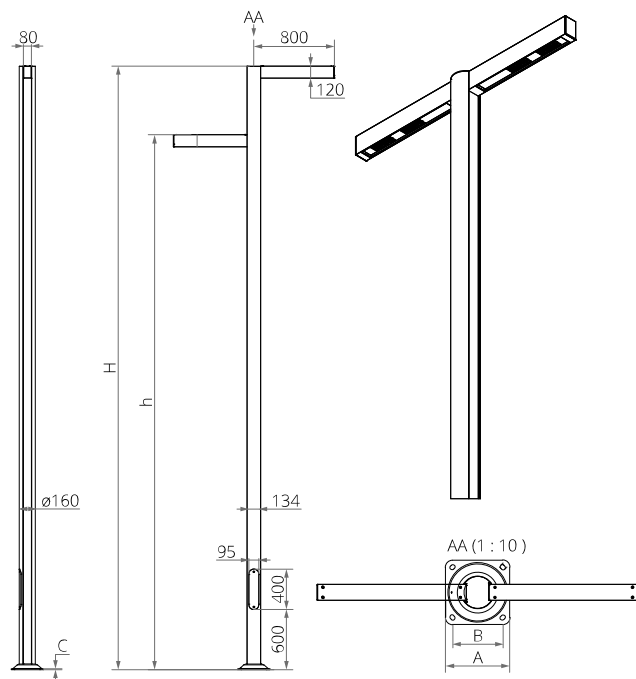
## DIRECTIVES AND STANDARDS

**DIRECTIVES:** 2014/35/UE (Official Journal of the UE L 96/357 29.03.2014), 2014/30/UE (Official Journal of the UE L 96/79 29.03.2014), 2011/65/UE RoHS (Official Journal of the UE L 174/88 01.07.2011), 2009/125/EC (Official Journal of the UE L 285/10 31.10.2009)

**STANDARDS:** PN-EN IEC 60598-1: 2021-7, PN-EN 60598-2-3: 2006, PN-EN 60529: 2003, PN-EN 62262: 2003, PN-EN 62471:2010, PN-EN 55015: 2019, PN-EN 61547: 2009, PN-EN 61000-3-2: 2019 , PN-EN 61000-3-3: 2014

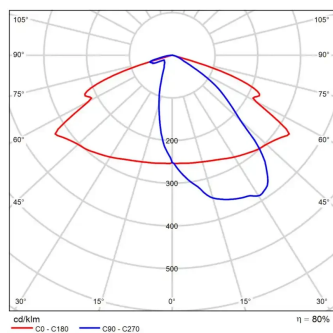
Lighting parameters presented based on laboratory tests according to IESNA LM-79-19

## TECHNICAL DRAWING

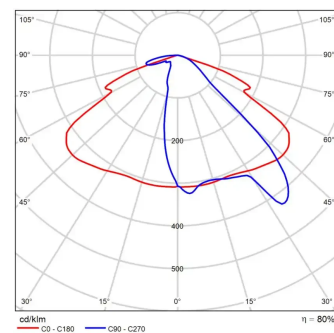


## PHOTOMETRIC CURVES

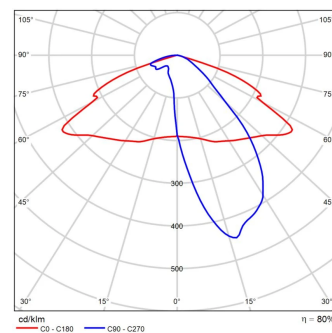
DW



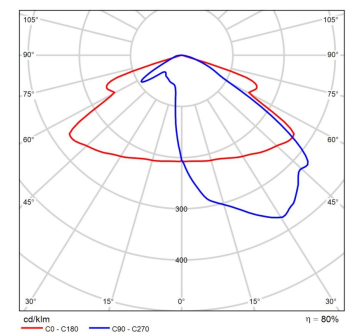
ME



T2



T3



## POWER SYSTEM FUNCTIONS

### Luminaire in standard has following functions of intelligent power supply:

- Connection to outside control system by DALI interface (operation of analog signal 1-10V as an option),
- Possibility of programming multistage dimming of luminaire, up to 5 intervals in the range of from 10 to 100% of nominal power,
- LED module equipped with thermal protection implemented via an NTC thermistor,
- Regulation of power / luminous flux – the option of setting another value than the catalogue in the range of 30-100% of nominal one,

## ACCEPTABLE QUANTITY OF LUMINAIRES ON ONE CIRCUIT

Overcurrent switches MCB type B or C

Lighting sets	Type	2A	4A	6A	10A	16A	20A	25A
BEAM II LED 24W, 36W	B	3	6	10	16	26	32	40
	C	3	10	16	27	44	54	67
BEAM II LED 48W, 60W, 72W	B	1	2	4	6	11	13	17
	C	1	4	6	11	18	22	28

Fuse – type gG and GL

Lighting sets	2A	4A	6A	10A	16A	20A	25A
BEAM II LED 24W, 36W	1	10	19	25	50	68	97
BEAM II LED 48W, 60W, 72W	0	4	8	11	21	29	42

## ACCEPTABLE HEIGHT

BEAM II LED	Acceptable height of the LED lighting set			
Field category	I zone Vref. = 22 m/s	I & III zone, up to 450m a.s.l. Vref. = 24 m/s	II zone Vref. = 26 m/s	III zone up to 755m a.s.l. Vref. = 28 m/s
I	7	6,5	6	6
II	7,5	6,5	6	6
III	8	7	6,5	6,5
IV	8	8	7,5	7