

TECHNICAL DATA

| | |
|---------------------------------|---|
| Anodising | 10 colours |
| Application | urban roads, residential roads (internal), surrounding office buildings, parks, pedestrians, parkings |
| Ingress protection | IP 66 for the optical part and the driver |
| Optical system | PMMA optics, interchangeable LED module |
| Material | anodised aluminium alloy, diffuser – tempered glass |
| Unit volume | 0,7 m ³ (LINE LED 4 m) 1 m ³ (LINE LED 5 m) 1,2 m ³ (LINE LED 6 m) 1,4 m ³ (LINE LED 7 m) 1,6 m ³ (LINE LED 8 m) |
| Expected useful lifetime | L90B10 - 100 000 h |
| CRI | >70 |
| Inrush current | 18 A / 280 μs (LINE LED 12 - 36 W) 98 A / 120 μs (LINE LED 48 W) |
| Input voltage frequency | 50/60Hz |
| Power factor | ≥0.95 |
| Number of LED | 16 |
| Control system | LED lighting set has the possibility to connect to an external control system via DALI interface (optionally via analog signal 1-10V). |



TABLE OF VARIANTS - HEIGHTS

| Symbol | Height [H] | Dimension of the base plate (A)/[B]/[C] | Concrete footing / reinforcement basket type | Concrete footing / reinforcement basket code | Fasteners | Net weight |
|------------|------------|---|--|--|-----------|------------|
| LINE I LED | 3 m | 224 / 180 / 8 | B-50 / Z-50 | 311150 / 311205 | 4006 | 22.8 kg |
| LINE I LED | 4 m | 224 / 180 / 8 | B-50 / Z-50 | 311150 / 311205 | 4006 | 27.8 kg |
| LINE I LED | 5 m | 224 / 180 / 8 | B-50 / Z-50 | 311150 / 311205 | 4006 | 32.8 kg |
| LINE I LED | 6 m | 400 / 300 / 12 | B-70, B-71 / Z-70, Z-71 | 311170, 311171 / 311207, 311271 | 4012 | 51.3 kg |
| LINE I LED | 7 m | 400 / 300 / 12 | B-70, B-71 / Z-70, Z-71 | 311170, 311171 / 311207, 311271 | 4012 | 57.9 kg |
| LINE I LED | 8 m | 400 / 300 / 12 | B-70, B-71 / Z-70, Z-71 | 311170, 311171 / 311207, 311271 | 4012 | 64.5 kg |

HOW TO GENERATE VARIANT CODES

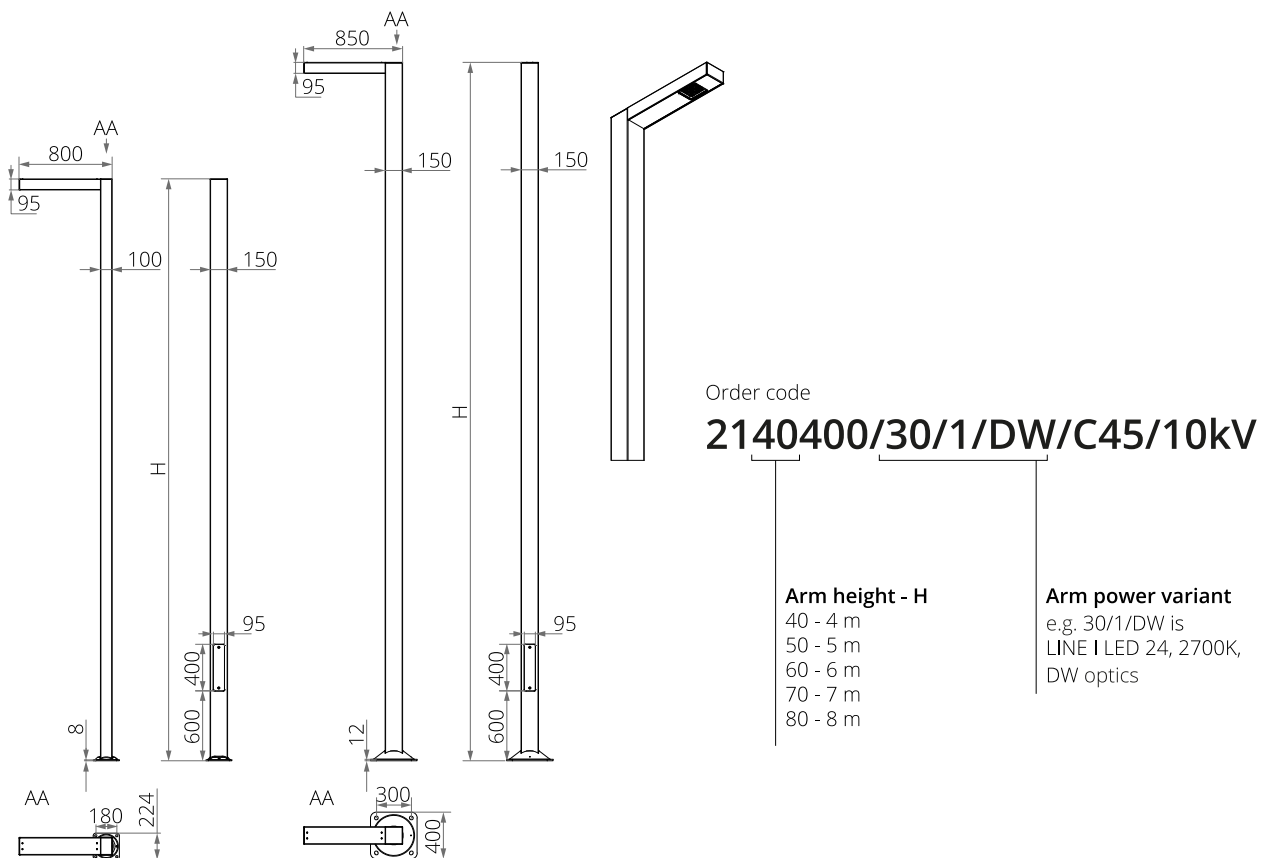


TABLE OF VARIANTS - LIGHTING

| Code | Symbol | LED power | Luminaire Power consumption | LED forward current | Colour temperature (CCT) | LEDs luminous flux ¹ | Luminaire luminous flux ¹ | Luminous efficacy |
|----------|--------------|-----------|-----------------------------|---------------------|--------------------------|---------------------------------|--------------------------------------|-------------------|
| 27/1/... | LINE LED 12W | 12 W | 15 W | 140 mA | 2700 K | 2450 lm | 2050 lm | 137 lm/W |
| 27/3/... | LINE LED 12W | 12 W | 15 W | 140 mA | 3500 K | 2600 lm | 2150 lm | 143 lm/W |
| 27/4/... | LINE LED 12W | 12 W | 15 W | 140 mA | 4000 K | 2650 lm | 2200 lm | 147 lm/W |
| 27/6/... | LINE LED 12W | 12 W | 15 W | 140 mA | 5000 K | 2600 lm | 2150 lm | 143 lm/W |
| 30/1/... | LINE LED 24W | 24 W | 26 W | 250 mA | 2700 K | 4250 lm | 3550 lm | 137 lm/W |
| 30/3/... | LINE LED 24W | 24 W | 26 W | 250 mA | 3500 K | 4450 lm | 3700 lm | 142 lm/W |
| 30/4/... | LINE LED 24W | 24 W | 26 W | 250 mA | 4000 K | 4600 lm | 3800 lm | 146 lm/W |
| 30/6/... | LINE LED 24W | 24 W | 26 W | 250 mA | 5000 K | 4500 lm | 3750 lm | 144 lm/W |
| 32/1/... | LINE LED 36W | 36 W | 39 W | 375 mA | 2700 K | 6200 lm | 5150 lm | 132 lm/W |
| 32/3/... | LINE LED 36W | 36 W | 39 W | 375 mA | 3500 K | 6500 lm | 5400 lm | 138 lm/W |
| 32/4/... | LINE LED 36W | 36 W | 39 W | 375 mA | 4000 K | 6650 lm | 5500 lm | 141 lm/W |

| Code | Symbol | LED power | Luminaire Power consumption | LED forward current | Colour temperature (CCT) | LEDs luminous flux ¹ | Luminaire luminous flux ¹ | Luminous efficacy |
|----------|--------------|-----------|-----------------------------|---------------------|--------------------------|---------------------------------|--------------------------------------|-------------------|
| 27/1/... | LINE LED 12W | 12 W | 15 W | 140 mA | 2700 K | 2450 lm | 2050 lm | 137 lm/W |
| 27/3/... | LINE LED 12W | 12 W | 15 W | 140 mA | 3500 K | 2600 lm | 2150 lm | 143 lm/W |
| 27/4/... | LINE LED 12W | 12 W | 15 W | 140 mA | 4000 K | 2650 lm | 2200 lm | 147 lm/W |
| 27/6/... | LINE LED 12W | 12 W | 15 W | 140 mA | 5000 K | 2600 lm | 2150 lm | 143 lm/W |
| 32/6/... | LINE LED 36W | 36 W | 39 W | 375 mA | 5000 K | 6550 lm | 5450 lm | 140 lm/W |
| 33/1/... | LINE LED 48W | 48 W | 54 W | 500 mA | 2700 K | 7950 lm | 6600 lm | 122 lm/W |
| 33/3/... | LINE LED 48W | 48 W | 54 W | 500 mA | 3500 K | 8300 lm | 6900 lm | 128 lm/W |
| 33/4/... | LINE LED 48W | 48 W | 54 W | 500 mA | 4000 K | 8550 lm | 7100 lm | 131 lm/W |
| 33/6/... | LINE LED 48W | 48 W | 54 W | 500 mA | 5000 K | 8450 lm | 7000 lm | 130 lm/W |
| 34/1/... | LINE LED 60W | 60 W | 67 W | 625 mA | 2700 K | 9650 lm | 8000 lm | 119 lm/W |
| 34/3/... | LINE LED 60W | 60 W | 67 W | 625 mA | 3500 K | 10100 lm | 8400 lm | 125 lm/W |
| 34/4/... | LINE LED 60W | 60 W | 67 W | 625 mA | 4000 K | 10350 lm | 8600 lm | 128 lm/W |
| 34/6/... | LINE LED 60W | 60 W | 67 W | 625 mA | 5000 K | 10250 lm | 8500 lm | 127 lm/W |

1) tolerance +/- 5% due to LEDs accuracy

2) symbol of chosen optical system eg. 30/6/T2 is a bracket LINEI LED 24 with T2 optical system, 5000K

Finish: option of elastomer protection in the colour of LED lighting sets up to the height of 350 mm (as standard for CI63, CI65, CI75, CI78 interference colors)

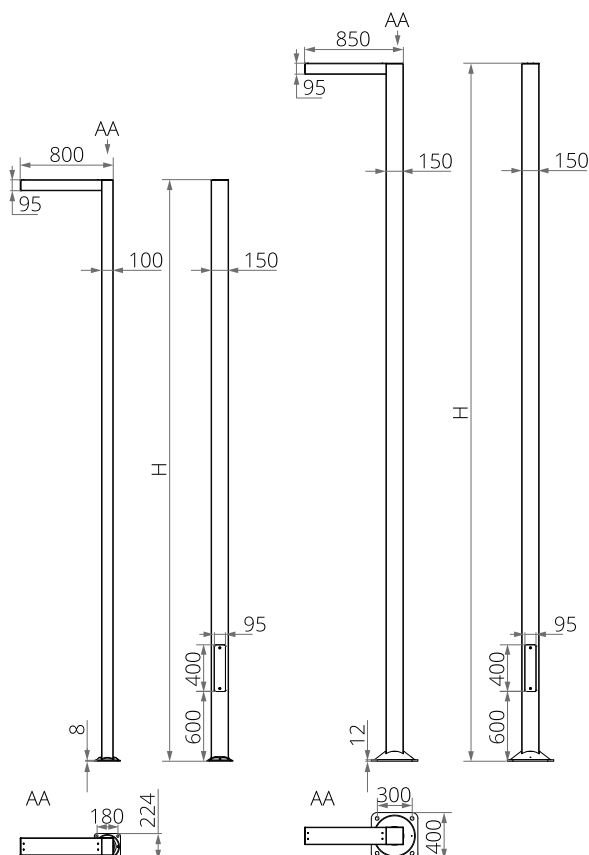
DIRECTIVES AND STANDARDS

DIRECTIVES: 2014/35/UE (Official Journal of the UE L 96/357 29.03.2014), 2014/30/UE (Official Journal of the UE L 96/79 29.03.2014), 2011/65/UE RoHS (Official Journal of the UE L 174/88 01.07.2011), 2009/125/EC(Official Journal of the UE L 285/10 31.10.2009)

STANDARDS: PN-EN IEC 60598-1: 2021-7, PN-EN 60598-2-3: 2006, PN-EN 60529: 2003, PN-EN 62262: 2003, PN-EN 62471:2010, PN-EN 55015: 2019, PN-EN 61547: 2009, PN-EN 61000-3-2: 2019 , PN-EN 61000-3-3: 2014

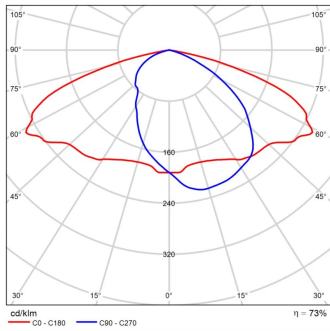
Lighting parameters presented based on laboratory tests according to IESNA LM-79-19

TECHNICAL DRAWING

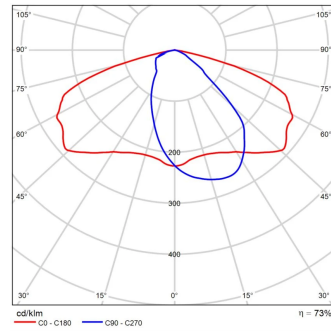


PHOTOMETRIC CURVES

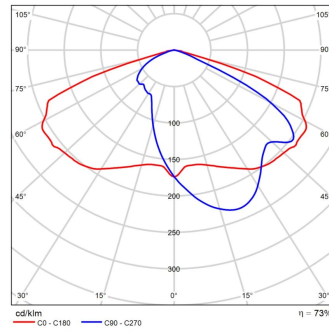
DW



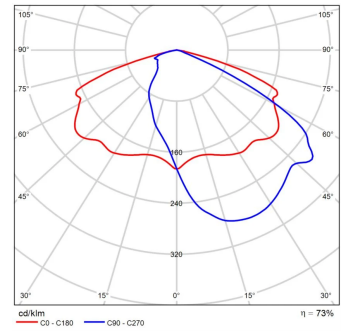
LN



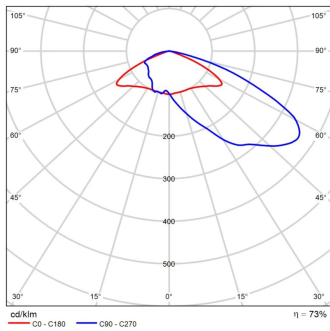
T3



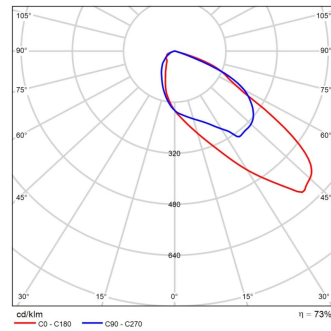
LW



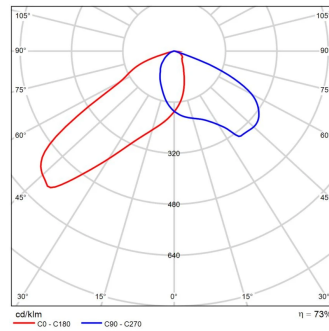
T4



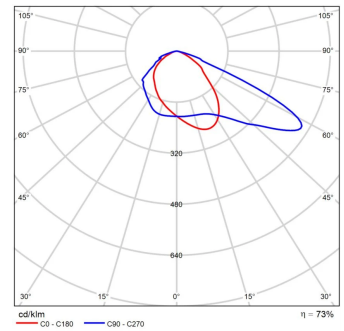
PP



PL



P2



POWER SYSTEM FUNCTIONS

Luminaire in standard has following functions of intelligent power supply:

- Connection to outside control system by DALI interface (operation of analog signal 1-10V as an option),
- Possibility of programming multistage dimming of luminaire, up to 5 intervals in the range of from 10 to 100% of nominal power,
- LED module equipped with thermal protection implemented via an NTC thermistor,
- Regulation of power / luminous flux – the option of setting another value than the catalogue in the range of 30-100% of nominal one,