

# CUDDLE II LED 192 NEMA



## TECHNICAL DATA

<b>Application</b>	motorways and expressway, urban roads, residential roads (internal), pedestrians, parkings
<b>Assembly</b>	on extension arms with ø 60 x 100 mm ending
<b>Colour</b>	inox / black
<b>Ingress protection</b>	IP 66 for the optical part and the driver
<b>Optical system</b>	PMMA optics, interchangeable LED module, PC-UV diffuser
<b>Material</b>	anodised aluminium alloy
<b>Unit volume</b>	-
<b>Operating temperature range</b>	from -40°C to +40°C
<b>Expected useful lifetime</b>	L90B10 - 100 000 h
<b>CRI</b>	>70
<b>Inrush current</b>	43 A / 260 µs (CUDDLE II LED 48 - 72) 77 A / 150 µs (CUDDLE II LED 96 - 144) 11,5 A / 1320 µs (CUDDLE II LED 192)
<b>Input voltage frequency</b>	50/60Hz
<b>Power factor</b>	≥0.95
<b>Number of LED</b>	64
<b>Control system</b>	The luminaire can be connected to an external control system via a 5-pin socket compatible with ANSI C136.41 (optional installation of a 7-pin socket). Standard communication interface: DALI (optional 1-10V analog signal support).

Code	Symbol	LED power	Luminaire power consumption	LED forward current	Colour temperature (CCT)	LEDs luminous flux <sup>1</sup>	Luminaire luminous flux <sup>1</sup>	Luminous efficacy <sup>1</sup>	Net weight
2224046/4/... <sup>2</sup>	CUDDLE II LED 192 NEMA	192 W	205 W	1000 mA	4000 K	31350 lm	26700 lm	130 lm/W	8 kg

1) tolerance +/- 5% due to LEDs accuracy

2) symbol of chosen optical system eg. 2224033/6/T2 is CUDDLE II LED 48 NEMA 5000K with T2 optical system

\*For the CUDDLE II LED NEMA luminaire with P2 and PL optics it is possible to choose an additional light colour temperature: 5700K. The product code is then supplemented with the designation '7'. Example: 2224033/7/P2 -CUDDLE II LED NEMA 48W 5700K luminaire with P2 optics

## DIRECTIVES AND STANDARDS

**DIRECTIVES:** 2014/35/UE (Official Journal of the UE L 96/357 29.03.2014), 2014/30/UE (Official Journal of the UE L 96/79 29.03.2014), 2011/65/UE RoHS (Official Journal of the UE L 174/88 01.07.2011), 2009/125/EC(Official Journal of the UE L 285/10 31.10.2009)

**STANDARDS:** PN-EN IEC 60598-1: 2021-7, PN-EN 60598-2-3: 2006, PN-EN 60529: 2003, PN-EN 62262: 2003, PN-EN 62471:2010, PN-EN 55015: 2019, PN-EN 61547: 2009, PN-EN 61000-3-2: 2019 , PN-EN 61000-3-3: 2014

Lighting parameters presented based on laboratory tests according to IESNA LM-79-19

## REMOVING ELECTROSTATIC CHARGE FROM LED LUMINAIRE BODY

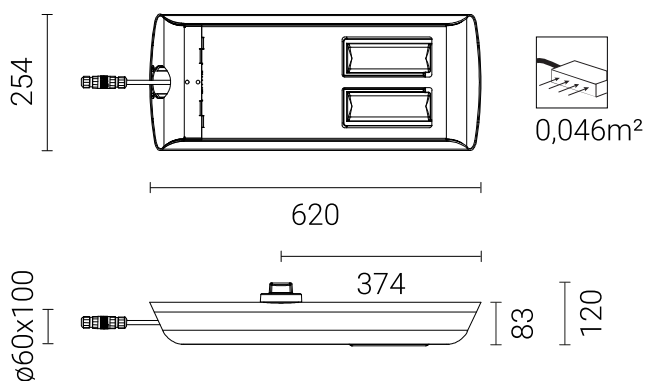
In order to efficient discharge the electrostatic charge from the housing of LED fitting installed on the pole from dielectric material (non-conductive) one of the following solutions is required:

- functional grounding
- LED luminaire with an additional protection device

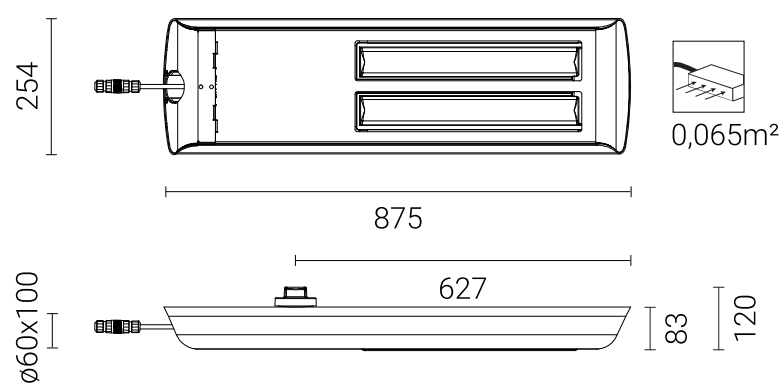
# CUDDLE II LED 192 NEMA

## TECHNICAL DRAWING

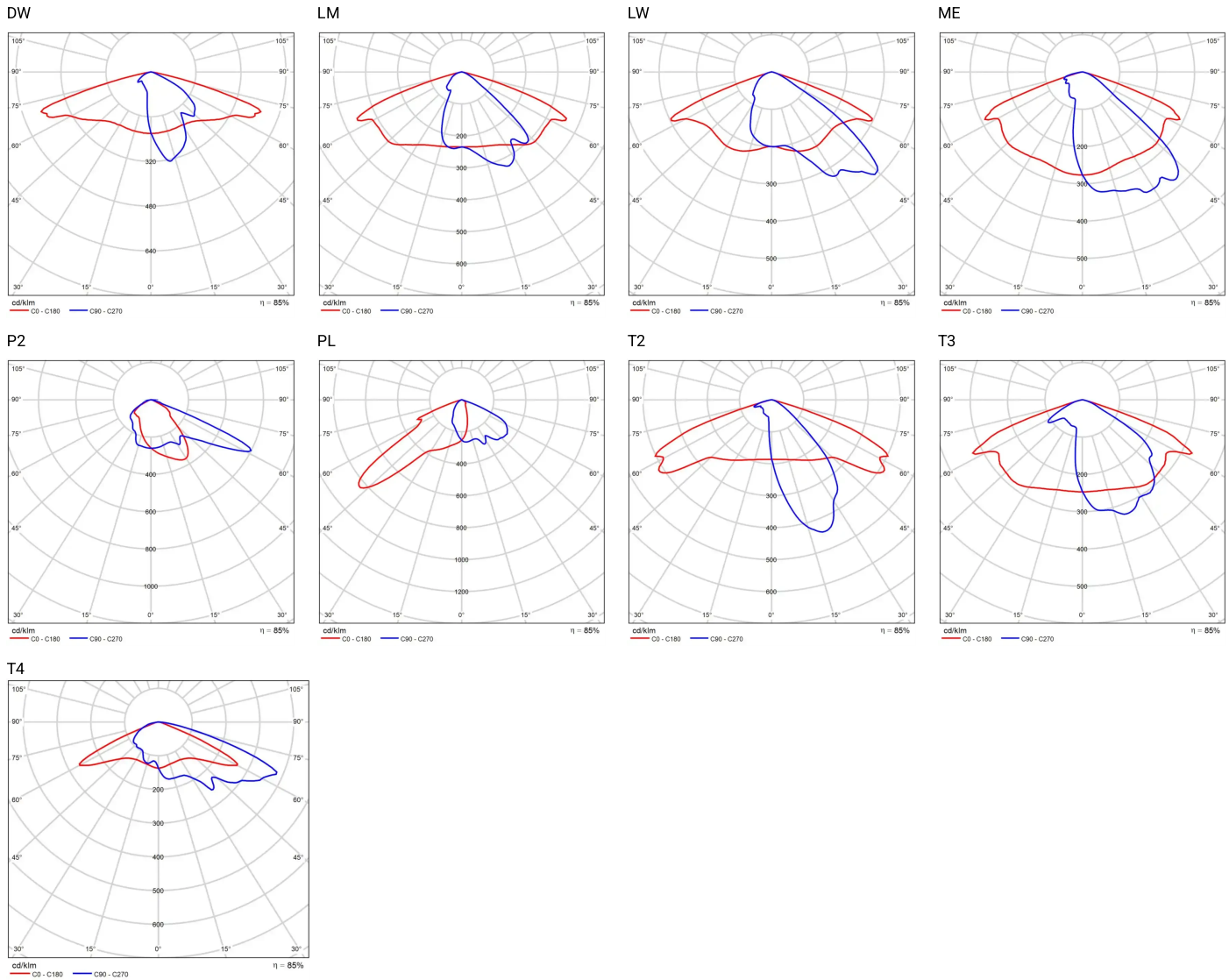
CUDDLE II LED NEMA 48W, 60W, 72W



CUDDLE II LED NEMA 96W, 120W, 144W, 192W



## PHOTOMETRIC CURVES



## POWER SYSTEM FUNCTIONS

**Luminaire in standard has following functions of intelligent power supply:**

- Connection to outside control system by DALI interface (operation of analog signal 1-10V as an option),
- Possibility of programming multistage dimming of luminaire, up to 5 intervals in the range of from 10 to 100% of nominal power,
- LED module equipped with thermal protection implemented via an NTC thermistor,
- Regulation of power / luminous flux – the option of setting another value than the catalogue in the range of 30-100% of nominal one,

## ACCETABLE QUANTITY OF LUMINAIRES ON ONE CIRCUIT

Overcurrent switches MCB type B or C

Luminaire	Typ	2A	4A	6A	10A	16A	20A	25A
CUDDLE II LED 48, 60, 72W	B	1	2	4	6	10	12	15
	C	1	4	6	10	17	20	26
CUDDLE II LED 96, 120, 144W	B	1	2	3	5	9	11	14
	C	1	3	5	9	15	18	23
CUDDLE II LED 192W	B	1	2	4	6	10	12	15
	C	1	4	6	10	17	20	26

Fuse – type gG and GL

Luminaire	2A	4A	6A	10A	16A	20A	25A
CUDDLE II LED 48, 60, 72W	0	4	8	11	22	31	44
CUDDLE II LED 96, 120, 144W	0	3	6	8	16	22	29
CUDDLE II LED 192W	1	3	5	8	14	17	22