



## TECHNICAL DATA

<b>Assembly</b>	on extension arms with $\varnothing$ 42 x 30 mm ending
<b>Application</b>	residential roads (internal), surrounding office buildings, parks, pedestrians
<b>Colour</b>	inox / graphite
<b>Ingress protection</b>	IP 66 for the optical part and IP 54 for the driver
<b>Optical system</b>	PMMA optics, interchangeable LED module
<b>Material</b>	anodised aluminium alloy, diffuser – tempered glass
<b>Unit volume</b>	0,041 m <sup>3</sup>
<b>Operating temperature range</b>	from -40°C to +40°C
<b>Expected useful lifetime</b>	L90B10 - 100 000 h
<b>CRI</b>	>70
<b>Inrush current</b>	18 A / 280 $\mu$ s (DROP LED 24 - 36) 43 A / 260 $\mu$ s (DROP LED 48)
<b>Input voltage frequency</b>	50/60Hz
<b>Power factor</b>	$\geq$ 0.95
<b>Number of LED</b>	16
<b>Control system</b>	Luminaire has the possibility to connect to an external control system via DALI interface (optionally via analog signal 1- 10V).



## TABLE OF VARIANTS

Code	Symbol	LED power	Luminaire power consumption	LED forward current	Colour temperature (CCT)	LEDs luminous flux <sup>1</sup>	Luminaire luminous flux <sup>1</sup>	Luminous efficacy <sup>1</sup>	Net weight
214930/1/... <sup>2</sup>	DROP LED 24	24 W	26 W	250 mA	2700 K	4250 lm	3550 lm	137 lm/W	4.9 kg
214930/3/... <sup>2</sup>	DROP LED 24	24 W	26 W	250 mA	3500 K	4450 lm	3700 lm	142 lm/W	4.9 kg
214930/4/... <sup>2</sup>	DROP LED 24	24 W	26 W	250 mA	4000 K	4600 lm	3800 lm	146 lm/W	4.9 kg
214930/6/... <sup>2</sup>	DROP LED 24	24 W	26 W	250 mA	5000 K	4500 lm	3750 lm	144 lm/W	4.9 kg
214932/1/... <sup>2</sup>	DROP LED 36	36 W	39 W	375 mA	2700 K	6200 lm	5150 lm	132 lm/W	4.9 kg
214932/3/... <sup>2</sup>	DROP LED 36	36 W	39 W	375 mA	3500 K	6500 lm	5400 lm	138 lm/W	4.9 kg
214932/4/... <sup>2</sup>	DROP LED 36	36 W	39 W	375 mA	4000 K	6650 lm	5500 lm	141 lm/W	4.9 kg
214932/6/... <sup>2</sup>	DROP LED 36	36 W	39 W	375 mA	5000 K	6550 lm	5450 lm	140 lm/W	4.9 kg
214933/1/... <sup>2</sup>	DROP LED 48	48 W	54 W	500 mA	2700 K	7950 lm	6600 lm	122 lm/W	5.2 kg
214933/3/... <sup>2</sup>	DROP LED 48	48 W	54 W	500 mA	3500 K	8300 lm	6900 lm	128 lm/W	5.2 kg
214933/4/... <sup>2</sup>	DROP LED 48	48 W	54 W	500 mA	4000 K	8550 lm	7100 lm	131 lm/W	5.2 kg
214933/6/... <sup>2</sup>	DROP LED 48	48 W	54 W	500 mA	5000 K	8450 lm	7000 lm	130 lm/W	5.2 kg

1) tolerance +/- 5% due to LEDs accuracy

2) the symbol of the selected optical system, e.g. 214933/1/T4, refers to the DROP LED 48 2700K luminaire with the T4 optical system

## DIRECTIVES AND STANDARDS

**DIRECTIVES:** 2014/35/UE (Official Journal of the UE L 96/357 29.03.2014), 2014/30/UE (Official Journal of the UE L 96/79 29.03.2014), 2011/65/UE RoHS (Official Journal of the UE L 174/88 01.07.2011), 2009/125/EC(Official Journal of the UE L 285/10 31.10.2009)

**STANDARDS:** PN-EN IEC 60598-1: 2021-7, PN-EN 60598-2-3: 2006, PN-EN 60529: 2003, PN-EN 62262: 2003, PN-EN 62471:2010, PN-EN 55015: 2019, PN-EN 61547: 2009, PN-EN 61000-3-2: 2019 , PN-EN 61000-3-3: 2014

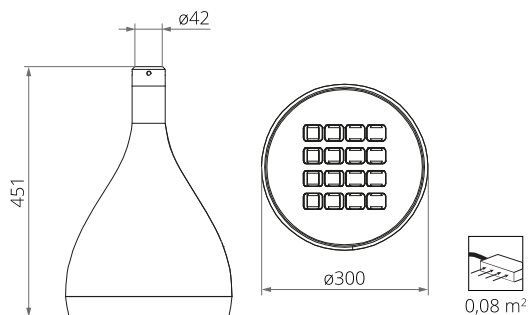
Lighting parameters presented based on laboratory tests according to IESNA LM-79-19

## REMOVING ELECTROSTATIC CHARGE FROM LED LUMINAIRE BODY

In order to efficient discharge the electrostatic charge from the housing of LED fitting installed on the pole from dielectric material (non-conductive) one of the following solutions is required:

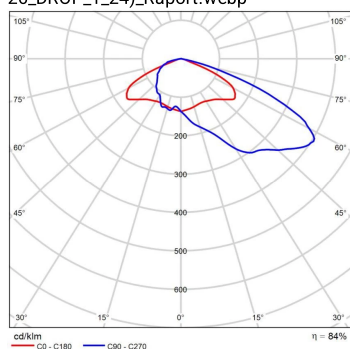
- functional grounding
- LED luminaire with an additional protection device

## TECHNICAL DRAWING

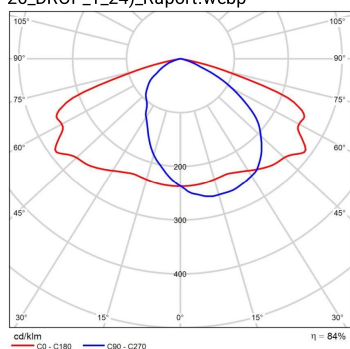


## PHOTOMETRIC CURVES

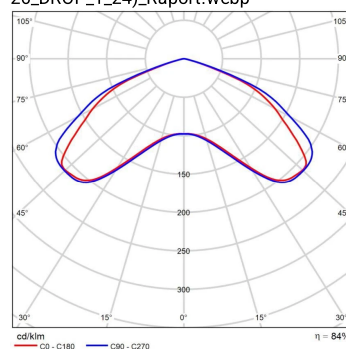
ROSA - Drop LED 24W 2700K T4 (1x 26\_DROP\_1\_24)\_Raport.webp



ROSA - Drop LED 24W 2700K DW (1x 26\_DROP\_1\_24)\_Raport.webp



ROSA - Drop LED 24W 2700K VS (1x 26\_DROP\_1\_24)\_Raport.webp



## POWER SYSTEM FUNCTIONS

**Luminaire in standard has following functions of intelligent power supply:**

- Connection to outside control system by DALI interface (operation of analog signal 1-10V as an option),
- Possibility of programming multistage dimming of luminaire, up to 5 intervals in the range of from 10 to 100% of nominal power,
- LED module equipped with thermal protection implemented via an NTC thermistor,
- Regulation of power / luminous flux – the option of setting another value than the catalogue in the range of 30-100% of nominal one,

## ACCEPTABLE QUANTITY OF LUMINAIRES ON ONE CIRCUIT

Overcurrent switches MCB type B or C

Luminaire	Typ	2A	4A	6A	10A	16A	20A	25A
DROP LED 48	B	1	2	4	6	12	12	15
	C	1	4	6	10	17	20	26
DROP LED 24, 36	B	3	6	10	16	26	32	40
	C	3	10	16	27	44	54	67

Fuse – type gG and GL

Luminaire	2A	4A	6A	10A	16A	20A	25A
DROP LED 48	0	4	8	11	22	31	44
DROP LED 24, 36	1	10	19	25	50	68	97