



TECHNICAL DATA

Assembly	on extension arms with \varnothing 42 x 30 mm ending
Application	residential roads (internal), surrounding office buildings, parks, pedestrians
Ingress protection	IP 66 for the optical part and IP 54 for the driver
Optical system	PMMA optics, interchangeable LED module
Material	anodised aluminium alloy, diffuser – tempered glass
Unit volume	0,041 m ³
Operating temperature range	from -40°C to +40°C
Expected useful lifetime	L90B10 - 100 000 h
CRI	>70
Inrush current	18 A / 280 μ s (DROP LED 24 - 36) 43 A / 260 μ s (DROP LED 48)
Input voltage frequency	50/60Hz
Power factor	\geq 0.95
Number of LED	16
Control system	Luminaire has the possibility to connect to an external control system via DALI interface (optionally via analog signal 1- 10V).



TABLE OF VARIANTS

Code	Symbol	LED power	Luminaire power consumption	LED forward current	Colour temperature (CCT)	LEDs luminous flux ¹	Luminaire luminous flux ¹	Luminous efficacy ¹	Net weight
214930/1/... ²	DROP LED 24	24 W	26 W	250 mA	2700 K	4250 lm	3550 lm	137 lm/W	4.9 kg
214930/3/... ²	DROP LED 24	24 W	26 W	250 mA	3500 K	4450 lm	3700 lm	142 lm/W	4.9 kg
214930/4/... ²	DROP LED 24	24 W	26 W	250 mA	4000 K	4600 lm	3800 lm	146 lm/W	4.9 kg
214930/6/... ²	DROP LED 24	24 W	26 W	250 mA	5000 K	4500 lm	3750 lm	144 lm/W	4.9 kg
214932/1/... ²	DROP LED 36	36 W	39 W	375 mA	2700 K	6200 lm	5150 lm	132 lm/W	4.9 kg
214932/3/... ²	DROP LED 36	36 W	39 W	375 mA	3500 K	6500 lm	5400 lm	138 lm/W	4.9 kg
214932/4/... ²	DROP LED 36	36 W	39 W	375 mA	4000 K	6650 lm	5500 lm	141 lm/W	4.9 kg
214932/6/... ²	DROP LED 36	36 W	39 W	375 mA	5000 K	6550 lm	5450 lm	140 lm/W	4.9 kg
214933/1/... ²	DROP LED 48	48 W	54 W	500 mA	2700 K	7950 lm	6600 lm	122 lm/W	5.2 kg
214933/3/... ²	DROP LED 48	48 W	54 W	500 mA	3500 K	8300 lm	6900 lm	128 lm/W	5.2 kg
214933/4/... ²	DROP LED 48	48 W	54 W	500 mA	4000 K	8550 lm	7100 lm	131 lm/W	5.2 kg
214933/6/... ²	DROP LED 48	48 W	54 W	500 mA	5000 K	8450 lm	7000 lm	130 lm/W	5.2 kg

1) tolerance +/- 5% due to LEDs accuracy

2) the symbol of the selected optical system, e.g. 214933/1/T4, refers to the DROP LED 48 2700 K luminaire with the T4 optical system

DIRECTIVES AND STANDARDS

DIRECTIVES: 2014/35/UE (Official Journal of the UE L 96/357 29.03.2014), 2014/30/UE (Official Journal of the UE L 96/79 29.03.2014), 2011/65/UE RoHS (Official Journal of the UE L 174/88 01.07.2011), 2009/125/EC(Official Journal of the UE L 285/10 31.10.2009)

STANDARDS: PN-EN IEC 60598-1: 2021-7, PN-EN 60598-2-3: 2006, PN-EN 60529: 2003, PN-EN 62262: 2003, PN-EN 62471:2010, PN-EN 55015: 2019, PN-EN 61547: 2009, PN-EN 61000-3-2: 2019 , PN-EN 61000-3-3: 2014

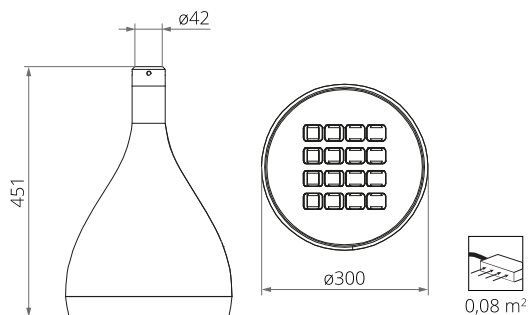
Lighting parameters presented based on laboratory tests according to IESNA LM-79-19

REMOVING ELECTROSTATIC CHARGE FROM LED LUMINAIRE BODY

In order to efficient discharge the electrostatic charge from the housing of LED fitting installed on the pole from dielectric material (non-conductive) one of the following solutions is required:

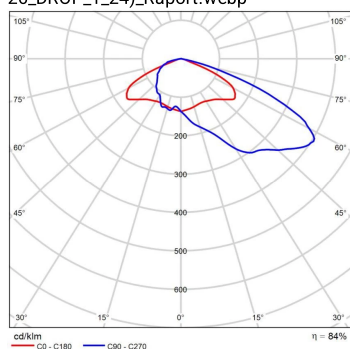
- functional grounding
- LED luminaire with an additional protection device

TECHNICAL DRAWING

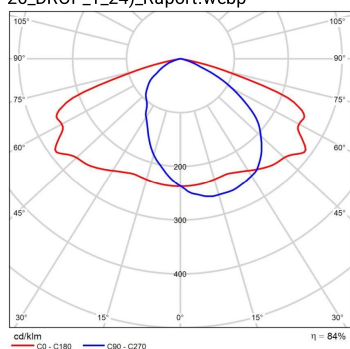


PHOTOMETRIC CURVES

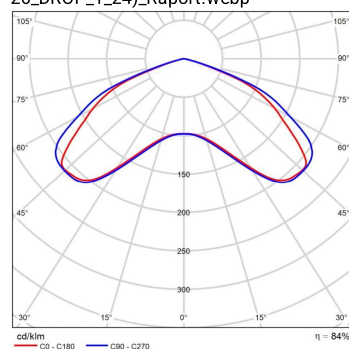
ROSA - Drop LED 24W 2700K T4 (1x 26_DROP_1_24)_Raport.webp



ROSA - Drop LED 24W 2700K DW (1x 26_DROP_1_24)_Raport.webp



ROSA - Drop LED 24W 2700K VS (1x 26_DROP_1_24)_Raport.webp



POWER SYSTEM FUNCTIONS

Luminaire in standard has following functions of intelligent power supply:

- Connection to outside control system by DALI interface (operation of analog signal 1-10V as an option),
- Possibility of programming multistage dimming of luminaire, up to 5 intervals in the range of from 10 to 100% of nominal power,
- LED module equipped with thermal protection implemented via an NTC thermistor,
- Regulation of power / luminous flux – the option of setting another value than the catalogue in the range of 30-100% of nominal one,

ACCEPTABLE QUANTITY OF LUMINAIRES ON ONE CIRCUIT

Overcurrent switches MCB type B or C

Luminaire	Typ	2 A	4 A	6 A	10 A	16 A	20 A	25 A
DROP LED 24 W, 36 W	B	3	6	10	16	26	32	40
	C	3	10	16	27	44	54	67
DROP LED 48 W	B	1	2	4	6	12	12	15
	C	1	4	6	10	17	20	26

Fuse – type gG and GL

Luminaire	2 A	4 A	6 A	10 A	16 A	20 A	25 A
DROP LED 24 W, 36 W	1	10	19	25	50	68	97
DROP LED 48 W	0	4	8	11	22	31	44