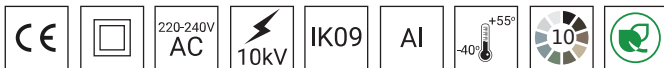


## TECHNICAL DATA

<b>Application</b>	surrounding office buildings, parks, pedestrians
<b>Colour</b>	inox / grey
<b>Ingress protection</b>	IP 66 for the optical part and the driver
<b>Material</b>	anodised aluminium alloy
<b>Unit volume</b>	0.022 m <sup>3</sup>
<b>Expected useful lifetime</b>	L90B10 - 100 000 h
<b>CRI</b>	>70
<b>Inrush current</b>	70 A / 220 μs
<b>Input voltage frequency</b>	50/60Hz
<b>Number of LED</b>	4



## TABLE OF VARIANTS

Code	Symbol	Height of the column [H]	LED power	Luminaire power consumption	Colour temperature (CCT)	LEDs luminous flux <sup>1</sup>	Luminaire luminous flux <sup>1</sup>	Luminous efficacy <sup>1</sup>	Concrete footing / reinforcement basket type	Net weight
215908/1	SIMPLE CUT LED 8	700 mm	8 W	12 W	2700 K	1350 lm	500 lm	42 lm/W	B-0A / Z-0A	4.5 kg
215908/3	SIMPLE CUT LED 8	700 mm	8 W	12 W	3500 K	1450 lm	550 lm	46 lm/W	B-0A / Z-0A	4.5 kg
215908/4	SIMPLE CUT LED 8	700 mm	8 W	12 W	4000 K	1500 lm	600 lm	50 lm/W	B-0A / Z-0A	4.5 kg
215908/6	SIMPLE CUT LED 8	700 mm	8 W	12 W	5000 K	1500 lm	600 lm	50 lm/W	B-0A / Z-0A	4.5 kg

1) tolerance +/- 7% due to LEDs accuracy

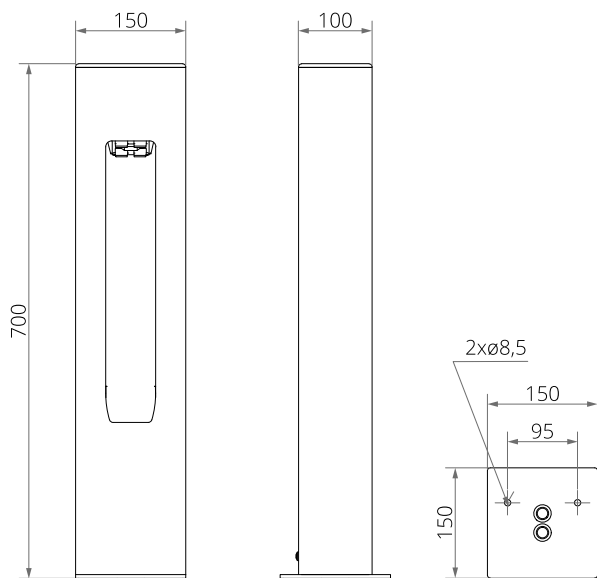
## DIRECTIVES AND STANDARDS

**DIRECTIVES:** 2014/35/UE (Official Journal of the UE L 96/357 29.03.2014), 2014/30/UE (Official Journal of the UE L 96/79 29.03.2014), 2011/65/UE RoHS (Official Journal of the UE L 174/88 01.07.2011), 2009/125/EC (Official Journal of the UE L 285/10 31.10.2009)

**STANDARDS:** PN-EN IEC 60598-1: 2021-7, PN-EN 60598-2-3: 2006, PN-EN 60529: 2003, PN-EN 62262: 2003, PN-EN 62471:2010, PN-EN 55015: 2019, PN-EN 61547: 2009, PN-EN 61000-3-2: 2019, PN-EN 61000-3-3: 2014

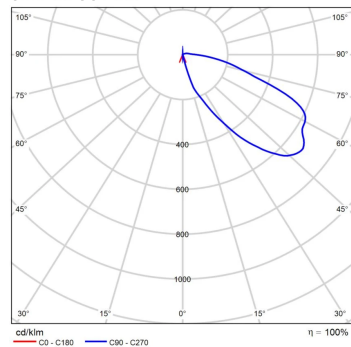
Lighting parameters presented based on laboratory tests according to IESNA LM-79-19

## TECHNICAL DRAWING



## PHOTOMETRIC CURVES

### SIMPLE CUT LED



## ACCEPTABLE QUANTITY OF LUMINAIRES ON ONE CIRCUIT

### Overcurrent switches MCB type B or C

Lighting columns	Type	2A	4A	6A	10A	16A	20A	25A
SIMPLE CUT LED	B	1	2	3	5	8	10	12
	C	1	3	5	8	13	16	20

### Fuse – type gG and GL

Lighting columns	2A	4A	6A	10A	16A	20A	25A
SIMPLE CUT LED	0	3	5	7	15	20	29