

## TECHNICAL DATA

<b>Application</b>	urban roads, residential roads (internal), surrounding office buildings, parks, pedestrians, parkings
<b>Colour</b>	inox / black
<b>Ingress protection</b>	IP 66 for the optical part and the driver
<b>Optical system</b>	PMMA optics
<b>Material</b>	anodised aluminium alloy
<b>Unit volume</b>	0,70 m <sup>3</sup> (SNAKE II LED 4,0 m) 0,76 m <sup>3</sup> (SNAKE II LED 4,5 m) 0,81 m <sup>3</sup> (SNAKE II LED 5,0 m) 0,87 m <sup>3</sup> (SNAKE II LED 5,5 m) 0,94 m <sup>3</sup> (SNAKE II LED 6,0 m) 1,01 m <sup>3</sup> (SNAKE II LED 6,5 m) 1,06 m <sup>3</sup> (SNAKE II LED 7,0 m) 1,12 m <sup>3</sup> (SNAKE II LED 7,5 m) 1,20 m <sup>3</sup> (SNAKE II LED 8,0 m)
<b>Expected useful lifetime</b>	L90B10 - 100 000 h
<b>CRI</b>	>70
<b>Inrush current</b>	42 A / 225 μs
<b>Input voltage frequency</b>	50/60Hz
<b>Power factor</b>	≥0.95
<b>Number of LED</b>	2x12
<b>Control system</b>	LED lighting set has the possibility to connect to an external control system via DALI interface (optionally via analog signal 1-10V).



TABLE OF VARIANTS - HEIGHTS

Symbol	Set Height [H]*	Height [x]	Dimension of the base plate ([A]/[B]/[C])	Concrete footing / reinforcement basket type	Concrete footing / reinforcement basket code	Fasteners	Net weight
SNAKE II LED	4,0m - 40	3,0m	320 / 250 / 10	B-60 / Z-60	311160 / 311206	4008	42kg
SNAKE II LED	4,5m - 45	3,5m	320 / 250 / 10	B-60 / Z-60	311160 / 311206	4008	47kg
SNAKE II LED	5,0m - 50	3,5m	320 / 250 / 10	B-60 / Z-60	311160 / 311206	4008	52kg
SNAKE II LED	5,5m - 55	3,5m	320 / 250 / 10	B-60 / Z-60	311160 / 311206	4008	57kg
SNAKE II LED	6,0m - 60	3,5m	320 / 250 / 10	B-60 / Z-60	311160 / 311206	4008	63kg
SNAKE II LED	6,5m - 65	4,5m	400 / 300 / 10	B-70, B-71 / Z-70, Z71	311170, 311171 / 311207, 311271	4012	67kg
SNAKE II LED	7,0m - 70	4,5m	400 / 300 / 10	B-70, B-71 / Z-70, Z71	311170, 311171 / 311207, 311271	4012	72kg
SNAKE II LED	7,5m - 75	5,5m	400 / 300 / 12	B-70, B-71 / Z-70, Z71	311170, 311171 / 311207, 311271	4012	77kg
SNAKE II LED	8,0m - 80	5,5m	400 / 300 / 12	B-70, B-71 / Z-70, Z71	311170, 311171 / 311207, 311271	4012	82kg

\*) the distance between the arms cannot be bigger than 2 meters

HOW TO GENERATE VARIANT CODES

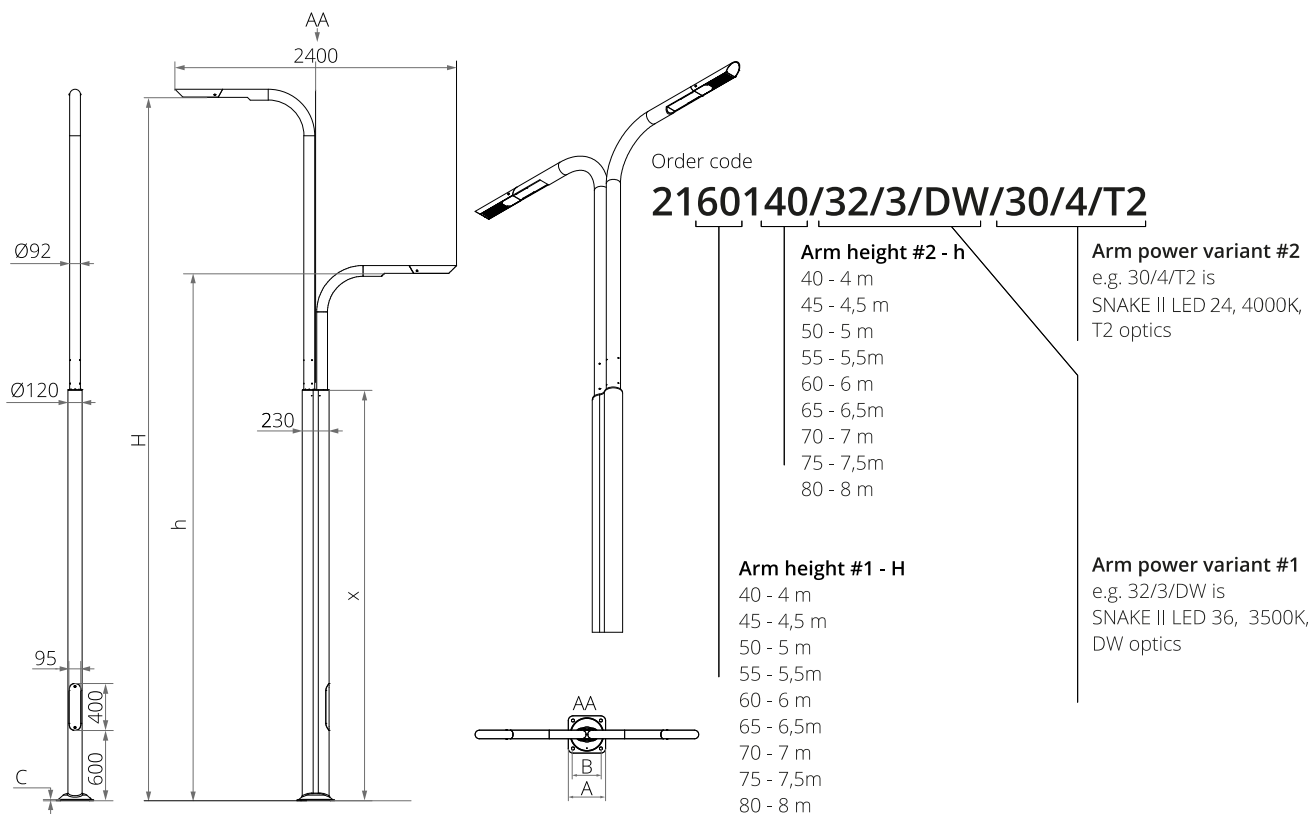


TABLE OF VARIANTS - LIGHTING

Code	Symbol	LED power	Luminaire Power consumption	LED forward current	Colour temperature (CCT)	LEDs luminous flux <sup>1</sup>	Luminaire luminous flux <sup>1</sup>	Luminous efficacy
27/1/... <sup>2</sup>	SNAKE II LED 12	12 W	14 W	350 mA	2 700 K	2 250 lm	2 050 lm	146 lm/W
27/3/... <sup>2</sup>	SNAKE II LED 12	12 W	14 W	350 mA	3 500 K	2 400 lm	2 200 lm	157 lm/W
27/4/... <sup>2</sup>	SNAKE II LED 12	12 W	14 W	350 mA	4 000 K	2 550 lm	2 350 lm	168 lm/W
27/6/... <sup>2</sup>	SNAKE II LED 12	12 W	14 W	350 mA	5 000 K	2 550 lm	2 350 lm	168 lm/W
30/1/... <sup>2</sup>	SNAKE II LED 24	24 W	28 W	700 mA	2 700 K	4 150 lm	3 800 lm	136 lm/W
30/3/... <sup>2</sup>	SNAKE II LED 24	24 W	28 W	700 mA	3 500 K	4 400 lm	4 050 lm	145 lm/W
30/4/... <sup>2</sup>	SNAKE II LED 24	24 W	28 W	700 mA	4 000 K	4 650 lm	4 250 lm	152 lm/W
30/6/... <sup>2</sup>	SNAKE II LED 24	24 W	28 W	700 mA	5 000 K	4 650 lm	4 250 lm	152 lm/W

Code	Symbol	LED power	Luminaire Power consumption	LED forward current	Colour temperature (CCT)	LEDs luminous flux <sup>1</sup>	Luminaire luminous flux <sup>1</sup>	Luminous efficacy
32/1/... <sup>2</sup>	SNAKE II LED 36	36 W	40 W	1 000 mA	2 700 K	5 550 lm	5 100 lm	128 lm/W
32/3/... <sup>2</sup>	SNAKE II LED 36	36 W	40 W	1 000 mA	3 500 K	5 900 lm	5 400 lm	135 lm/W
32/4/... <sup>2</sup>	SNAKE II LED 36	36 W	40 W	1 000 mA	4 000 K	6 250 lm	5 700 lm	143 lm/W
32/6/... <sup>2</sup>	SNAKE II LED 36	36 W	40 W	1 000 mA	5 000 K	6 250 lm	5 700 lm	143 lm/W

1) tolerance +/- 5% due to LEDs accuracy

2) symbol of chosen optical system eg. 30/6/T2 is a bracket SNAKE II LED 24 with T2 optical system, 5000K

**Finish:** option of elastomer protection in the colour of LED lighting sets up to the height of 350 mm (as standard for CI63, CI65, CI75, CI78 interference colors)

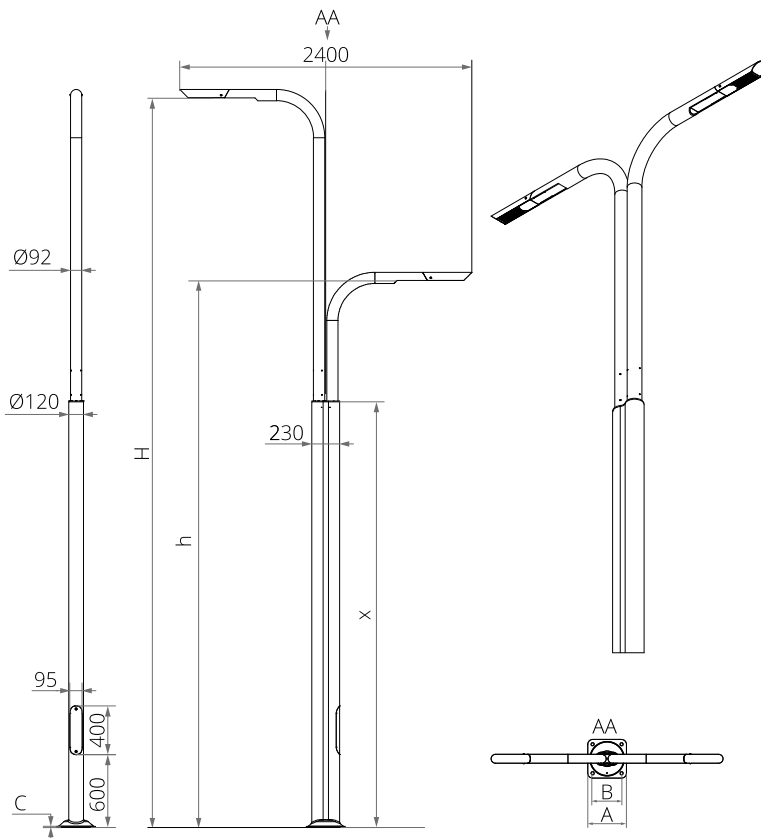
## DIRECTIVES AND STANDARDS

**DIRECTIVES:** 2014/35/UE (Official Journal of the UE L 96/357 29.03.2014), 2014/30/UE (Official Journal of the UE L 96/79 29.03.2014), 2011/65/UE RoHS (Official Journal of the UE L 174/88 01.07.2011), 2009/125/EC(Official Journal of the UE L 285/10 31.10.2009)

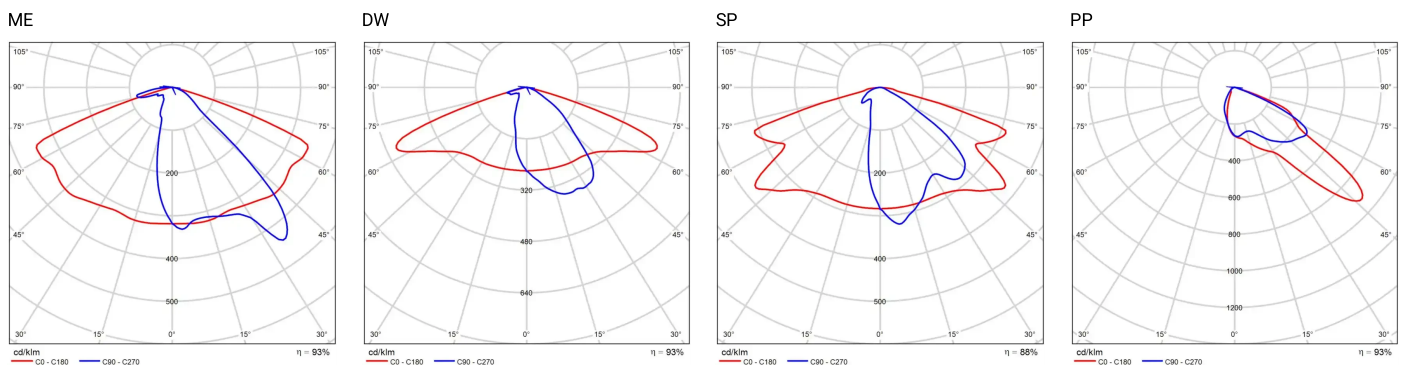
**STANDARDS:** PN-EN IEC 60598-1: 2021-7, PN-EN 60598-2-3: 2006, PN-EN 60529: 2003, PN-EN 62262: 2003, PN-EN 62471:2010, PN-EN 55015: 2019, PN-EN 61547: 2009, PN-EN 61000-3-2: 2019 , PN-EN 61000-3-3: 2014

Lighting parameters presented based on laboratory tests according to IESNA LM-79-19

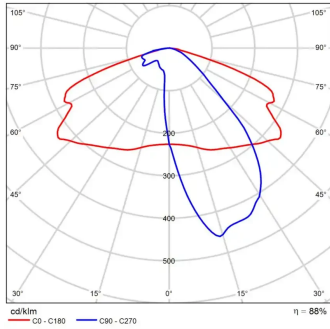
## TECHNICAL DRAWING



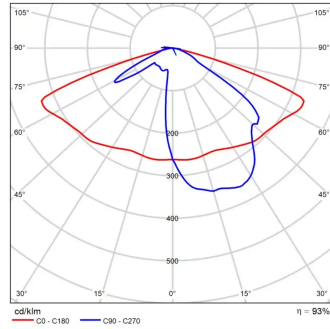
## PHOTOMETRIC CURVES



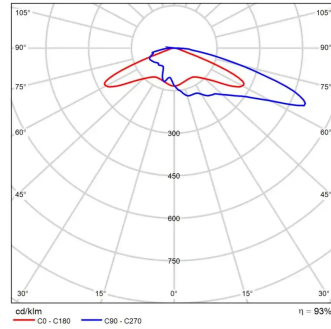
T2



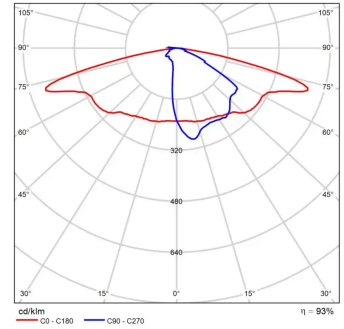
T3



T4



3L



## POWER SYSTEM FUNCTIONS

### Luminaire in standard has following functions of intelligent power supply:

- Connection to outside control system by DALI interface (operation of analog signal 1-10V as an option),
- Possibility of programming multistage dimming of luminaire, up to 5 intervals in the range of from 10 to 100% of nominal power,
- LED module equipped with thermal protection implemented via an NTC thermistor,
- Regulation of power / luminous flux - the option of setting another value than the catalogue in the range of 30-100% of nominal one,

## ACCEPTABLE QUANTITY OF LUMINAIRES ON ONE CIRCUIT

Overcurrent switches MCB type B or C

Lighting sets	Type	2A	4A	6A	10A	16A	20A	25A
SNAKE II LED	B	3	6	10	16	26	32	40
	C	3	10	16	27	44	54	67

Fuse - type gG and GL

Lighting sets	2A	4A	6A	10A	16A	20A	25A
SNAKE II LED	1	10	19	25	50	68	97

## ACCEPTABLE HEIGHT

SNAKE II LED	Acceptable height of the LED lighting set			
Field category	I zone Vref. = 22 m/s	I & III zone, up to 450m a.s.l. Vref. = 24 m/s	II zone Vref. = 26 m/s	III zone up to 755m a.s.l. Vref. = 28 m/s
I	8	8	8	8
II	8	8	8	8
III	8	8	8	8
IV	8	8	8	8