



TECHNICAL DATA

Application	surrounding office buildings
Colour	inox / grey
Ingress protection	IP 66 for the optical part and the driver
Material	anodised aluminium alloy
Unit volume	0,008 m ³
Expected useful lifetime	L90B10 - 100 000 h
CRI	>70
Inrush current	18 A / 280 μs (Kinkiet CUT LED 24 - 36) 46 A / 250 μs (Kinkiet CUT LED 48 - 72)
Input voltage frequency	50/60Hz
Power factor	≥0.95
Number of LED	12 - (24 W, 36 W); 24 - (48 W, 60 W, 72 W)
Control system	LED lighting set has the possibility to connect to an external control system via DALI interface (optionally via analog signal 1-10V).



TABLE OF VARIANTS

Code	Symbol	LED power	Luminaire power consumption	LED forward current	Colour temperature (CCT)	LEDs luminous flux ¹	Luminaire luminous flux ¹	Luminous efficacy ¹	Net weight
210030/1/... ²	BEAM LED SCONCE 24	24 W	28 W	700 mA	2700 K	4050 lm	3250 lm	116 lm/W	5 kg
210030/3/... ²	BEAM LED SCONCE 24	24 W	28 W	700 mA	3500 K	4350 lm	3500 lm	125 lm/W	5 kg
210030/4/... ²	BEAM LED SCONCE 24	24 W	28 W	700 mA	4000 K	4550 lm	3650 lm	130 lm/W	5 kg
210030/6/... ²	BEAM LED SCONCE 24	24 W	28 W	700 mA	5000 K	4550 lm	3650 lm	130 lm/W	5 kg
210032/1/... ²	BEAM LED SCONCE 36	36 W	40 W	1000 mA	2700 K	5450 lm	4400 lm	110 lm/W	5 kg
210032/3/... ²	BEAM LED SCONCE 36	36 W	40 W	1000 mA	3500 K	5800 lm	4700 lm	118 lm/W	5 kg
210032/4/... ²	BEAM LED SCONCE 36	36 W	40 W	1000 mA	4000 K	6150 lm	4950 lm	124 lm/W	5 kg
210032/6/... ²	BEAM LED SCONCE 36	36 W	40 W	1000 mA	5000 K	6150 lm	4950 lm	124 lm/W	5 kg
210033/1/... ²	BEAM LED SCONCE 48	48 W	55 W	700 mA	2700 K	8150 lm	6600 lm	120 lm/W	5.5 kg
210033/3/... ²	BEAM LED SCONCE 48	48 W	55 W	700 mA	3500 K	8650 lm	7000 lm	127 lm/W	5.5 kg
210033/4/... ²	BEAM LED SCONCE 48	48 W	55 W	700 mA	4000 K	9150 lm	7400 lm	135 lm/W	5.5 kg
210033/6/... ²	BEAM LED SCONCE 48	48 W	55 W	700 mA	5000 K	9150 lm	7400 lm	135 lm/W	5.5 kg
210035/1/... ²	BEAM LED SCONCE 48	72 W	79 W	1000 mA	2700 K	10900 lm	8800 lm	111 lm/W	5.5 kg
210035/3/... ²	BEAM LED SCONCE 48	72 W	79 W	1000 mA	3500 K	11600 lm	9350 lm	118 lm/W	5.5 kg
210035/4/... ²	BEAM LED SCONCE 48	72 W	79 W	1000 mA	4000 K	12300 lm	9950 lm	126 lm/W	5.5 kg
210035/6/... ²	BEAM LED SCONCE 48	72 W	79 W	1000 mA	5000 K	12300 lm	9950 lm	126 lm/W	5.5 kg

1) tolerance +/- 5% due to LEDs accuracy

DIRECTIVES AND STANDARDS

DIRECTIVES: 2014/35/UE (Official Journal of the UE L 96/357 29.03.2014), 2014/30/UE (Official Journal of the UE L 96/79 29.03.2014), 2011/65/UE RoHS (Official Journal of the UE L 174/88 01.07.2011), 2009/125/EC(Official Journal of the UE L 285/10 31.10.2009)

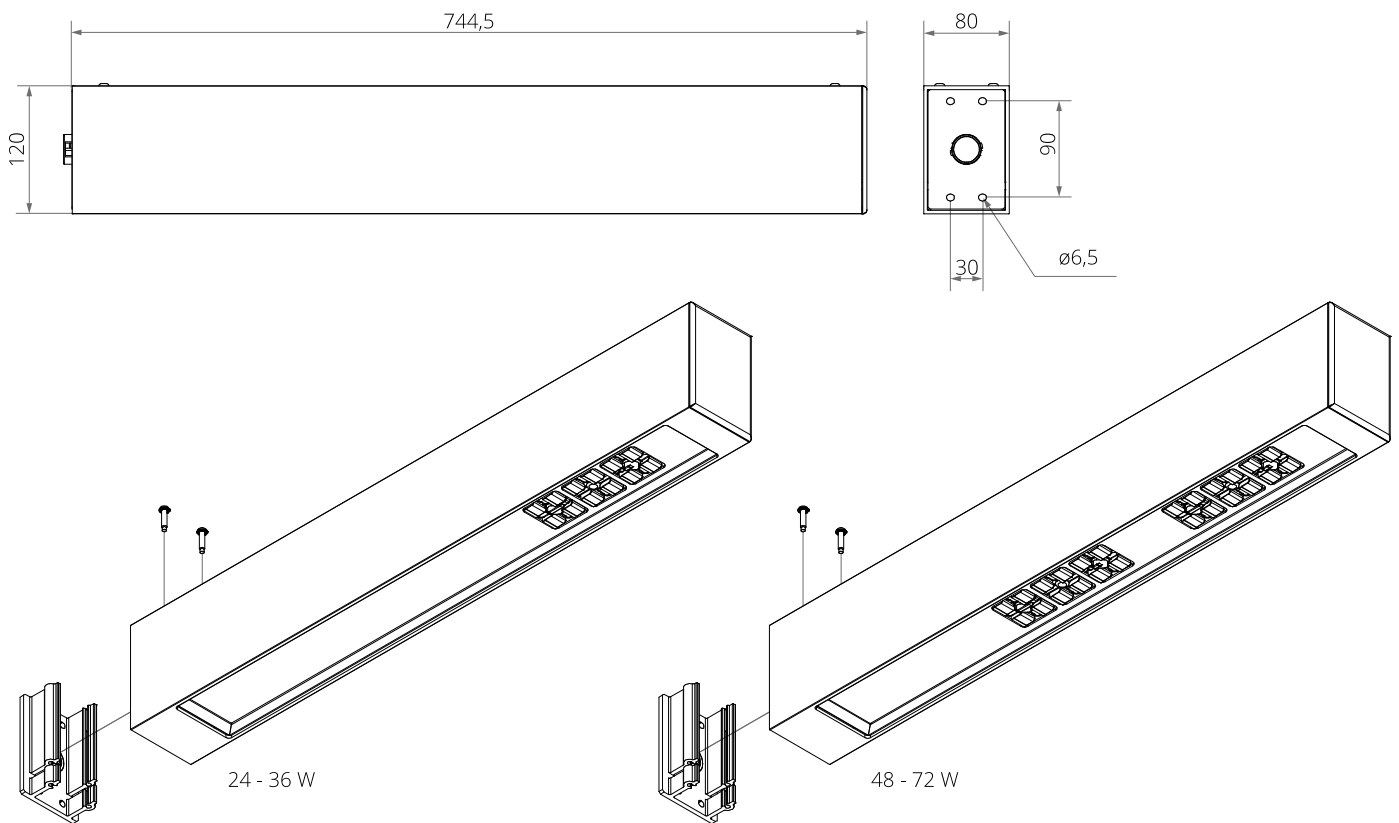
STANDARDS: PN-EN IEC 60598-1: 2021-7, PN-EN 60598-2-3: 2006, PN-EN 60529: 2003, PN-EN 62262: 2003, PN-EN 62471:2010, PN-EN 55015: 2019, PN-EN 61547: 2009, PN-EN 61000-3-2: 2019 , PN-EN 61000-3-3: 2014

Lighting parameters presented based on laboratory tests according to IESNA LM-79-19

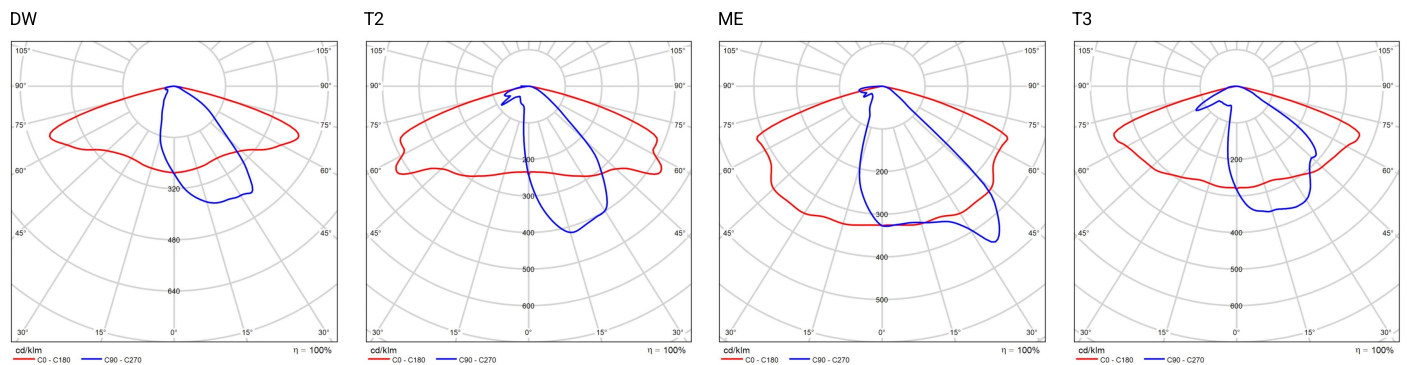
BEAM LED SCONCE



TECHNICAL DRAWING



PHOTOMETRIC CURVES



POWER SYSTEM FUNCTIONS

Luminaire in standard has following functions of intelligent power supply:

- Connection to outside control system by DALI interface (operation of analog signal 1-10V as an option),
- Possibility of programming multistage dimming of luminaire, up to 5 intervals in the range of from 10 to 100% of nominal power,
- LED module equipped with thermal protection implemented via an NTC thermistor,
- Regulation of power / luminous flux – the option of setting another value than the catalogue in the range of 30-100% of nominal one,