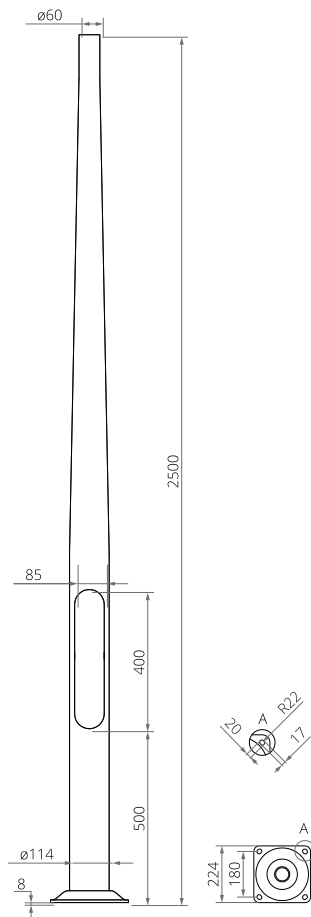


# Aluminium column SAL-2,5/B60

114 mm at the base plate



## TECHNICAL DATA

<b>Anodising</b>	10 colours
<b>Luminaire mounting</b>	directly on the column, luminaires with mounting $\varnothing 60$ mm with weight and surface parameters not exceeding the data from the strength table included in the technical data sheet
<b>Extension arm type</b>	according to resistance calculations
<b>Packing</b>	sleeve material
<b>Performance under vehicle impact (passive safety)</b>	50-NE-B-S-SE-MD-0, 70-NE-B-S-SE-MD-0, 100-NE-B-S-SE-MD-0
<b>Diameter at the base plate</b>	114 mm
<b>Finish</b>	brushed anodised aluminium - anode coating thickness is $20\mu\text{m}$ as standard (coating thickness of $25\mu\text{m}$ is also possible), option of elastomer protection up to a height of 350 mm, in a colour similar to the anode colour (other heights or colours of elastomer available according to the RAL palette at the customer's request) - the thickness of the protective coating ranges from 0.8 mm to 1.2 mm
<b>Ingress protection</b>	IP54 for wire chamber
<b>Diameter of the column ending</b>	$\varnothing 60$ mm



## TABLE OF VARIANTS

Code	Symbol	Height of the column [H]	Wall thickness	Unit volume	Concrete footing / reinforcement basket type	Concrete footing / reinforcement basket code	Fasteners	Net weight
42126/C...	SAL-2,5/B60	2.5 m	3 mm	0.056 m <sup>3</sup>	B-50 / Z-50	311150 / 311205	4006	7.5 kg

## STRENGTH TABLE

SAL-2,5/B60		Acceptable windage of single luminaire [m <sup>2</sup> ] for Cx=1				
code 42126		Vref. = 22 m/s	Vref. = 24 m/s	Vref. = 26 m/s	Vref. = 28 m/s	
code of extension arm	type of extension arm	permissible weight of a single luminaire [kg]	zone I, terrain category II	zone I & III, terrain category II up to 450m a.s.l	zone II, terrain category II	zone III, terrain category II up to 755m a.s.l.
-	-	20	1,25	1,05	0,88	0,78
471040	WA-4	10	0,78	0,64	0,51	0,43
471051	WA-5/1	10	0,36	0,29	0,23	0,19
471141	WA-14/1	10	0,47	0,38	0,30	0,25
471041	WA-41 f42	10	0,77	0,63	0,51	0,43
47204105	WR-4/1/0,5/5	-			ISKRA LED	
472041059	WR-4/1/0,5/5 ZP	-			ISKRA LED	
472831	WR-8B/1/0,35/0	-			ISKRA LED	
472841	WR-8B/1/0,35/5	-			ISKRA LED	
472851	WR-8B/1/0,35/10	-			ISKRA LED	

# Aluminium column SAL-2,5/B60

114 mm at the base plate



## ANODISING COLOURS

