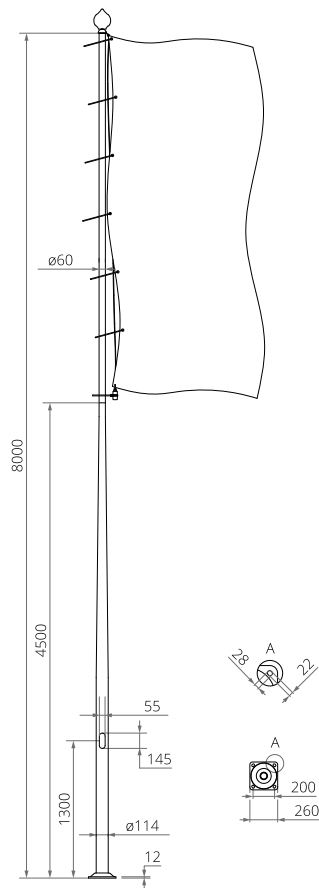


Aluminium column SAL MF 8-114

114 mm at the base plate



TECHNICAL DATA

Anodising	10 colours
Packing	sleeve material
Diameter at the base plate	114 mm
Finish	brushed anodised aluminium - anode coating thickness is 20µm as standard (coating thickness of 25µm is also possible), option of elastomer protection up to a height of 350 mm, in a colour similar to the anode colour (other heights or colours of elastomer available according to the RAL palette at the customer's request) - the thickness of the protective coating ranges from 0.8 mm to 1.2 mm
Purpose	masts are designed for hanging flags of surface area up to 6 m ² according to the technical data sheet
Cord	braided spiral, durable, diameter ø4 mm, colour: white
Weight	metal, coated with grey coloured plastic
Plastic mounting band	8 pcs as standard (6 pcs + 1 pc on weight + 1 pc on cross-bar)
Wiring chamber	equipped in cord's lock.
Additional accessories	crossbar for flag 1 m, 1.5 m; for all painting and anodising colours ending is in silver - as standard

Pole ending - head

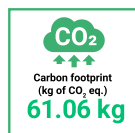
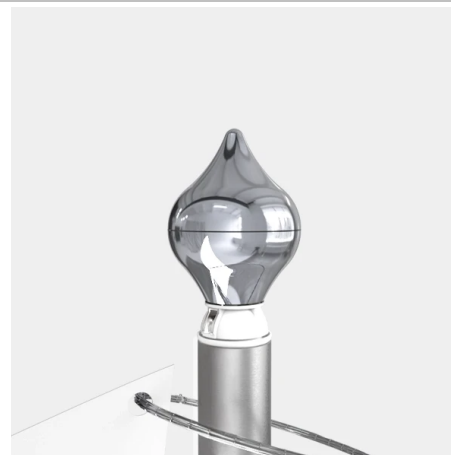


TABLE OF VARIANTS

Code	Symbol	Height of the column [H]	Unit volume	Concrete footing / reinforcement basket type	Concrete footing / reinforcement basket code	Fasteners	Net weight
42953/C...	SAL MF 8-114	8 m	0.144 m ³	B-51 / Z-51	311151 / 311251	4008	22.5 kg

STRENGTH TABLE

SAL MF 8-114 code 42953	location category			
	Vref. = 22 m/s	Vref. = 24 m/s	Vref. = 26 m/s	Vref. = 28 m/s
Surface flag	I zone	I and III zone to 450m AMSL	II zone	III zone to 755m AMSL
≤ 3 m ²	1	1	2	2
≤ 6 m ²	2	2	3	4

ADDITIONAL EQUIPMENT

Aluminium column SAL MF 8-114

114 mm at the base plate



Name of product	Cross-bar 1,0 m	Cross-bar 1,5 m
Product code	4000	4003
Outreach of cross-bar [m]	1,0	1,5
Net weight [kg]	1,8	2,0
Approximate volume [m ³]	0,01	0,01

ANODISING COLOURS

